

ENTRA™ 3" CYLINDER

WALL WASH CYLINDER

The ENTRA 3" Wall Wash Cylinder provides a cost-effective option with a modern aesthetic for residential, hospitality and commercial applications. ENTRA 3" Wall Wash Cylinders are a great solution for illumination in exposed ceiling applications. Mounting options include Flush Mount, Surface Mount, Pendant Mount, and Conduit Mount. LED is recessed in the cylinder minimizing glare with warm dimming and static white options. Available in Black, Brushed Aluminum, and White (field paintable).

- Optimized wall wash beam distribution
- 1-step for static white 2700K, 3000K, and 3500K; and 2-step for all other configurations



SHOWN IN WHITE

LUMEN/CBCP MULTIPLIERS

CCT	80 CRI MULTIPLIER	90 CRI MULTIPLIER
2200K	—	0.48
2400K	—	0.66
2700K	—	0.75
3000K	—	0.80
3500K	1.00	—

Lumen output will vary by CCT and CRI. See photometric charts for output information.

SPECIFICATIONS

	STATIC WHITE		WARM DIM	
WATTAGE	Lumens	Efficacy	Lumens	Efficacy
12W	856	76	526	45
15W	1066	72	677	44
19W	1275	70	806	40
CRI	80+, 90+		90+	
CCT	2200K, 2400K, 2700K, 3000K, or 3500K		3000K-1800K	
COLOR CONSISTENCY	1-step (2-step for 2200K, 2400K)		2-step	
VOLTAGE	120V or 277V			
DIMMING¹	Standard reverse-phase, forward-phase, TRIAC, and 0-10V dimming down to 1% for 12W and 15W, and 5% for 19W ¹ eldoLED 0-10V or DALI-2 down to 0.1% Lutron Hi-lume EcoSystem down to 0.1%			
POWER SUPPLY	Constant current driver with +0.9 power factor and +80% efficiency			
CEILING APPEARANCE	Flush mount Surface Mount (Canopy) Pendant Mount (Canopy) Conduit Mount (J-Box)			
CONSTRUCTION	Cylinder: Aluminum			
FINISH	Reflector: White, Black, or Brushed Aluminum Cylinder: White, Black, or Brushed Aluminum			
GENERAL LISTINGS	ETL Listed. Damp Location.			
CALIFORNIA TITLE 24	Registered CEC appliance database. Complies with CEC 2019 Title 24 Part 6 (JA8-2016, JA8-2019) (for 90 CRI versions).			
L70	50,000 hours min			
WARRANTY²	5 years			

Data in chart reflects 3500K/80 CRI values, unless otherwise noted.

Ordering grids available on page 2.

¹See visualcomfort.com for dimmer compatibility.

²Visit visualcomfort.com for specific warranty limitations and details.

ENTRA™ 3" CYLINDER

WALL WASH CYLINDER

ORDERING GRIDS

CYLINDER

PRODUCT	MOUNTING	OUTPUT	CRI/CCT	FUNCTION	DRIVERS	REFLECTOR FINISH	CYLINDER FINISH
ENCY3R ENTRA CYLINDERS 3" ROUND	F FLUSH MOUNT 1	-L12 12W (1400 LMS)	835 80 CRI, 3500K, 1-STEP	WW WALL WASH	INTEGRATED DRIVERS 120V/277V -UNV UNIVERSAL PHASE/0-10V 1%/5% ⁴	-B BLACK -W WHITE -A BRUSHED ALUMINUM	B BLACK W WHITE A BRUSHED ALUMINUM
	S SURFACE MOUNT (CANOPY)	-L15 15W (1800 LMS)	922 90 CRI, 2200K, 2-STEP				
	C CONDUIT MOUNT (J-BOX) ²	-L19 19W (2250 LMS)	924 90 CRI, 2400K, 2-STEP				
	P PENDANT MOUNT (CANOPY) ³		927 90 CRI, 2700K, 1-STEP 930 90 CRI, 3000K, 1-STEP 9WD 90 CRI, WARM DIM, 3000K-1800K, 2-STEP				
ENCY3R		-		WW	-		

For dimming details, refer to dimmer compatibility chart.

¹F - Flush Mount includes adapter plate to assemble to standard 4" square or octagonal junction box prior to ceiling install.

²C - Conduit Mount includes custom junction box assembled at/below the ceiling.

³P - Pendant Mount for use with ECPS Cylinders pendant stems.

⁴UNV - Universal dimming is reverse-phase, forward-phase, TRIAC, and 0-10V. 277V is only compatible with 0-10V dimming. Dims down to 1% for 12W and 15W outputs, and 5% for 19W output.

⁵Remote drivers ship in 4" x 8" x 1.8" black enclosure for remote location mounting.

PENDANT STEMS

PRODUCT ¹	LENGTH ²	FINISH
ECPS	12 12"	B BLACK
	24 24"	W WHITE
	36 36"	A BRUSHED ALUMINUM
	48 48"	
	60 60"	
	72 72"	

ECPS

¹Required for Pendant Mount only.

²Consult Quotes Department for custom lengths to the inch.

VAULTED CEILING ADAPTER

PRODUCT	FINISH
ECVA PENDANT MOUNT ¹	B BLACK
ECVAD SURFACE MOUNT ²	W WHITE A BRUSHED ALUMINUM

¹For use with Pendant Mount. Adds 1.7" to the overall length of the stem. Accommodates slopes up to 45 degrees.

²For use with Surface Mount. Accommodates slopes up to 45 degrees.



ENTRA™ 3" CYLINDER

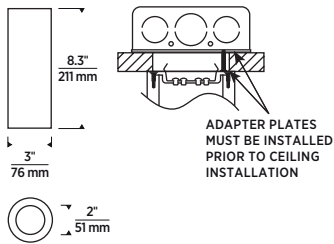
WALL WASH CYLINDER

CYLINDERS

FLUSH MOUNT



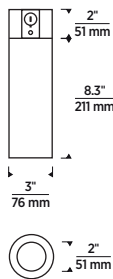
WHITE BRUSHED ALUMINUM BLACK



CONDUIT MOUNT (J-BOX)



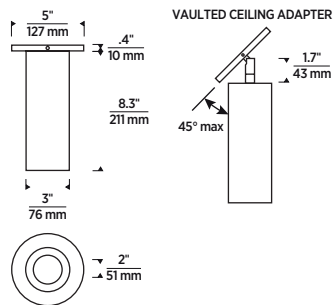
WHITE BRUSHED ALUMINUM BLACK



SURFACE MOUNT (CANOPY)



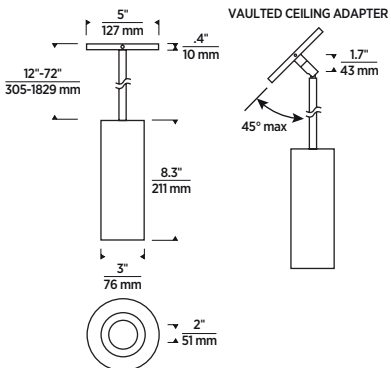
WHITE BRUSHED ALUMINUM BLACK



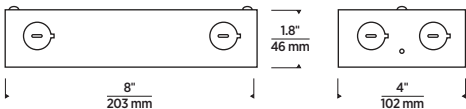
PENDANT MOUNT (CANOPY)



WHITE BRUSHED ALUMINUM BLACK



REMOTE DRIVER J-BOX



ENTRA™ 3" CYLINDER

WALL WASH CYLINDER

PHOTOMETRICS

Description: 3" Cylinder Wall Wash
80 CRI, 3500K

Input Power (Watts): 18.3

Input Power Factor: 0.99

Absolute Luminous Flux (Lumens): 1275

Lumen Efficacy (Lumens per Watt): 70

Description: 3" Cylinder Wall Wash
90 CRI, Warm Dim

Input Power (Watts): 20.1

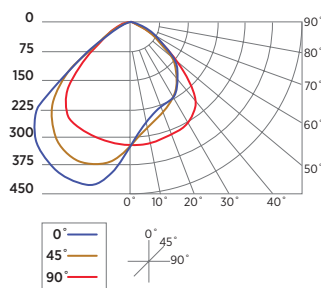
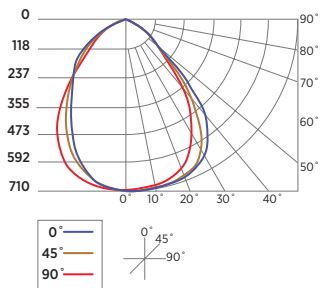
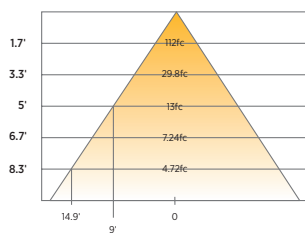
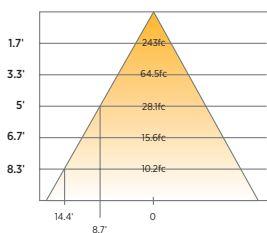
Input Power Factor: 0.98

Absolute Luminous Flux (Lumens): 806

Lumen Efficacy (Lumens per Watt): 40

ANGLE	0°	45°	90°
0°	702	702	702
5°	707	703	700
10°	705	704	693
15°	697	701	679
20°	687	689	657
25°	671	665	614
30°	644	622	548
35°	592	540	465
40°	499	420	374
45°	358	302	254
50°	200	187	182
55°	136	131	145
60°	102	99	106
65°	67	66	68
70°	43	39	42
75°	28	25	22
80°	17	15	12
85°	8	6	5
90°	0	0	0

ANGLE	0°	45°	90°
0°	325	325	325
5°	286	297	324
10°	2259	277	320
15°	244	262	317
20°	236	250	313
25°	232	238	309
30°	227	224	302
35°	214	206	288
40°	195	186	262
45°	170	160	220
50°	139	127	157
55°	96	87	105
60°	69	66	72
65°	49	47	49
70°	32	29	31
75°	21	19	16
80°	13	11	9
85°	6	5	4
90°	0	0	0



ENTRA™ 3" CYLINDER

WALL WASH CYLINDER

PROJECT INFORMATION

JOB NAME AND INFORMATION

FIXTURE TYPE AND QUANTITY

NOTES

