

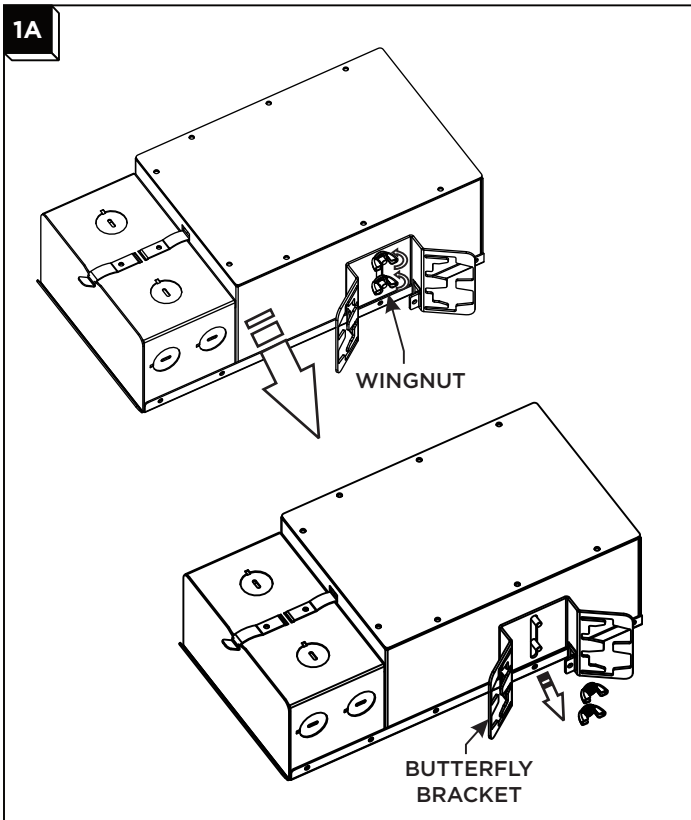
# ELEMENT 4" Pro Hanger Bar Replacement

1.0



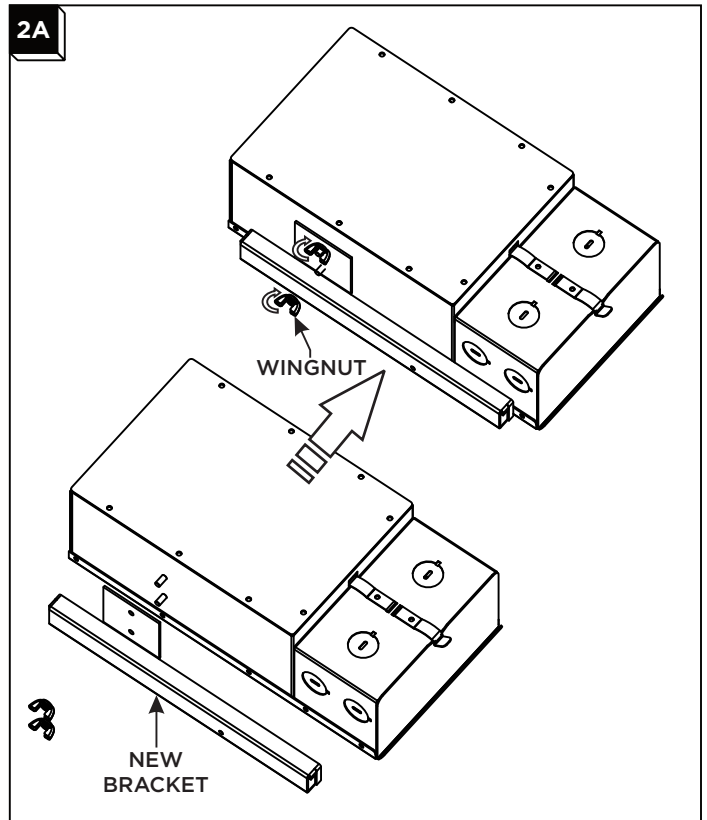
**SAVE THESE INSTRUCTIONS!**

## Remove the Butterfly Brackets



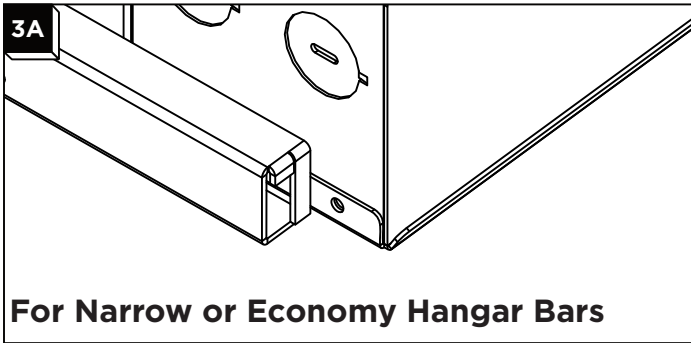
- 1 ➤ Unscrew and remove the wingnut.
- 2 ➤ Remove the butterfly bracket.
- 3 ➤ Repeat on opposite side.

## Install the New Brackets

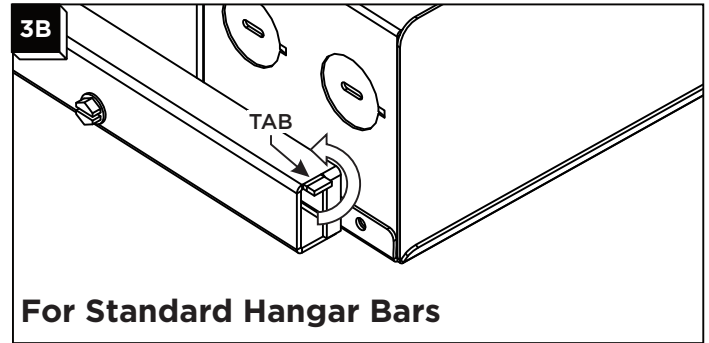


- 1 ➤ Align the new bracket to the side of the housing.
- 2 ➤ Place the new bracket onto the bolts and secure with the wing nuts.
- 3 ➤ Repeat for both sides.

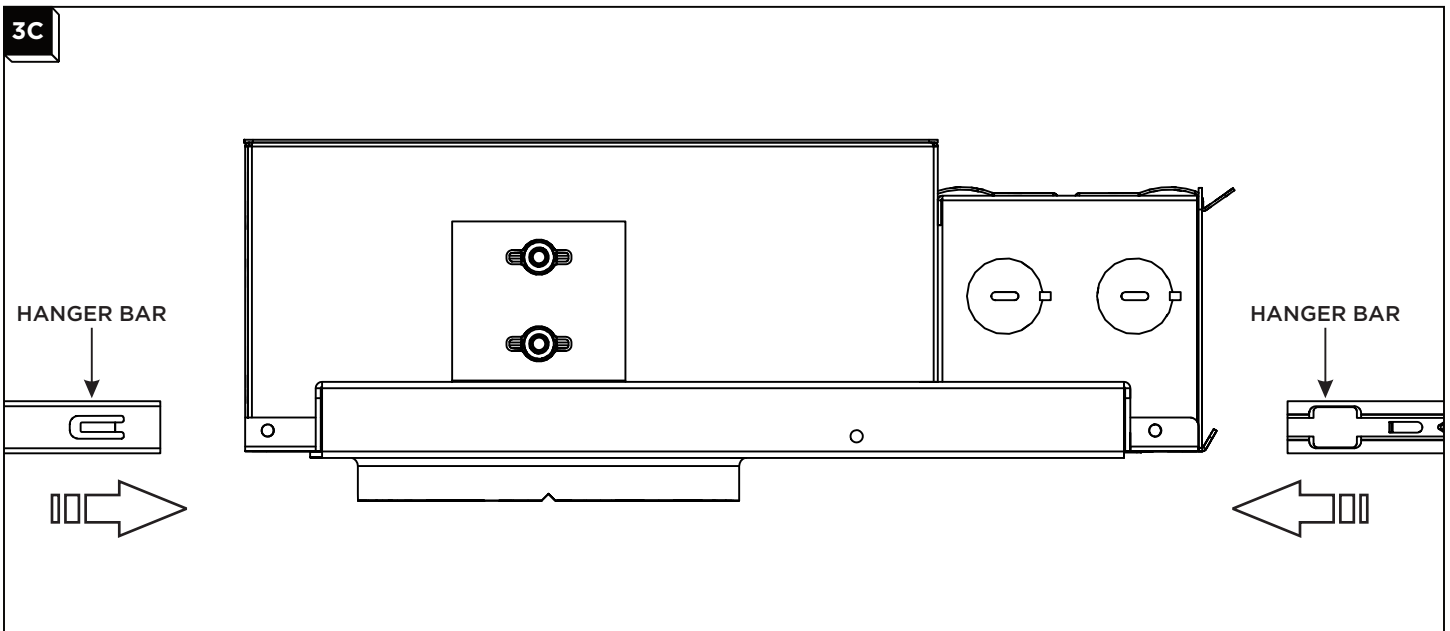
## Install the Hanger Bars



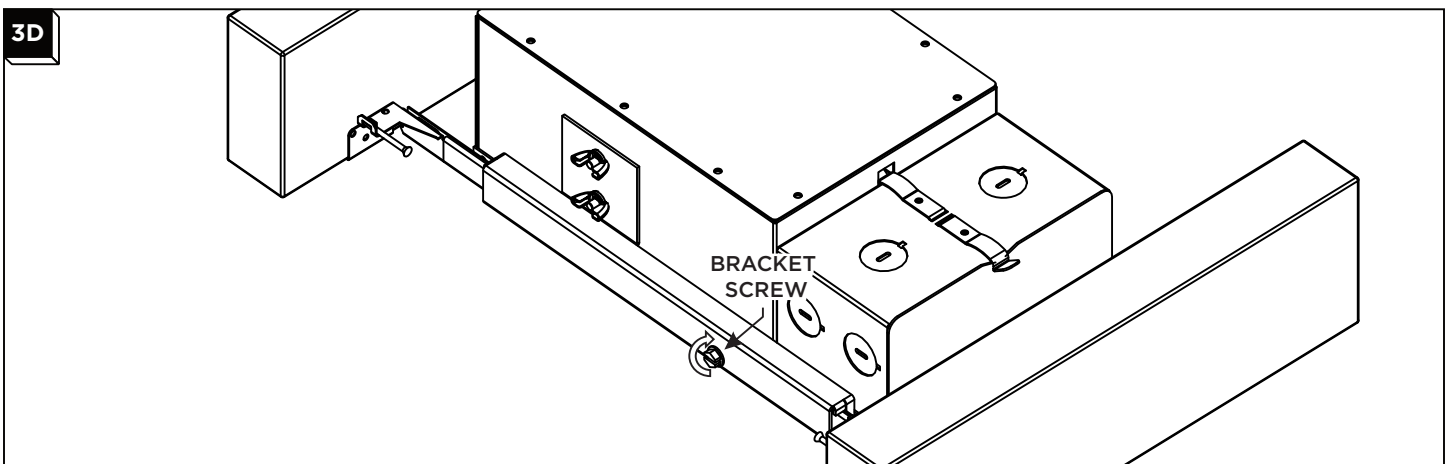
**1** If using narrow or economy leave the bracket tab intact.



**2** If using standard hanger bars bend up and break the bracket tab off with needle nose pliers.



**3** Slide the hanger bars into the bracket.



**4** Install hanger bars to the ceiling joist.

**5** Lock hanger bars in place with the bracket screw.

**TECH LIGHTING**

7400 Linder Ave., Skokie, IL 60077  
 T 847.410.4400 | F 847.410.4500  
[www.techlighting.com](http://www.techlighting.com)