

E3 Wall Wash Flangeless Trims

1.0

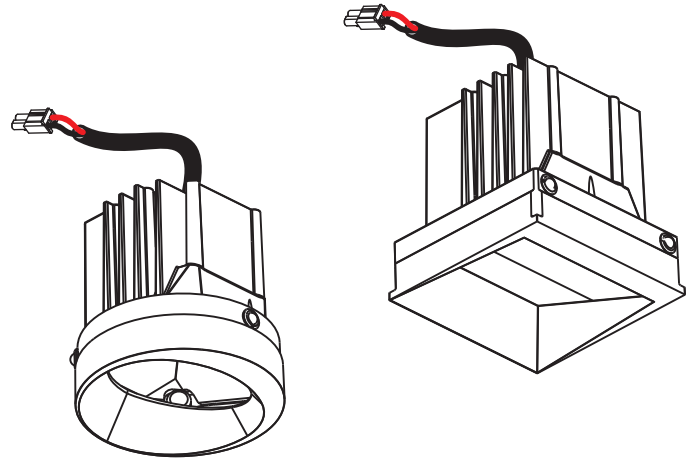
ELEMENT
a brand of TECH LIGHTING

FLANGELESS TRIMS

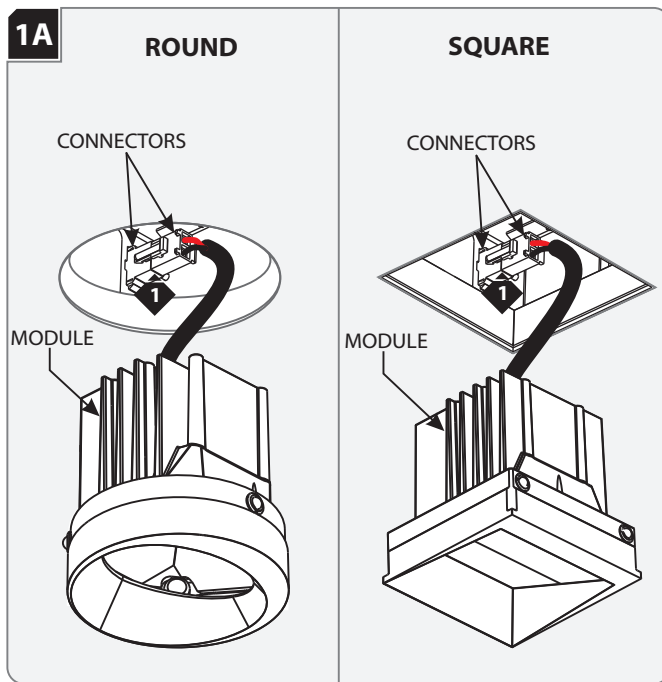
GENERAL PRODUCT INFORMATION:

This product is suitable for indoor locations.

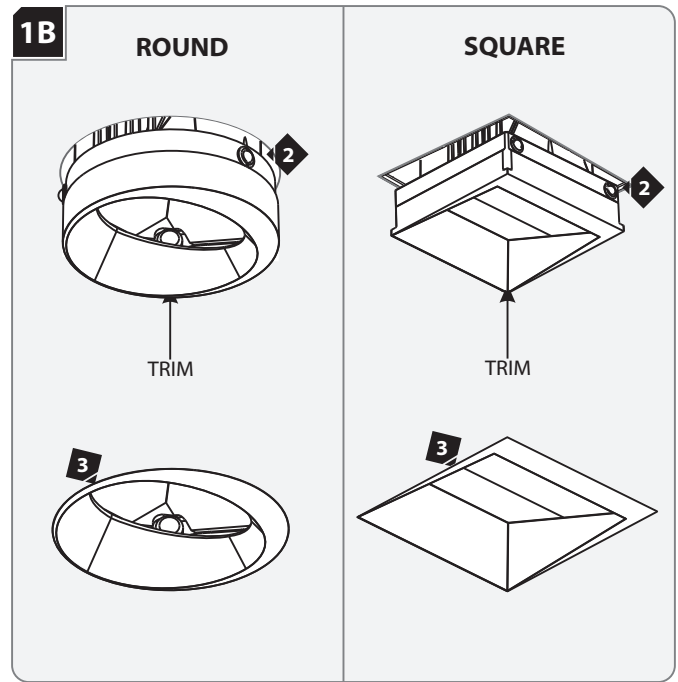
This instruction shows a typical installation.



Install the Module and Trim



1 Connect the wall wash module to the fixture using the connectors.



2 Align the trim with the inner edge of the collar or plaster plate.

3 Push the trim into the collar or plaster plate until it snaps into the collar or plaster plate walls.

SAVE THESE INSTRUCTIONS!

ELEMENT
a brand of TECH LIGHTING

7400 Linder Ave.
Skokie, IL 60077
847.410.4400

www.element-lighting.com

© 2019 Tech Lighting, L.L.C. All rights reserved. The "Element" graphic is a registered trademark of Element. Element reserves the right to change specifications for product improvements without notification.