



MERGE



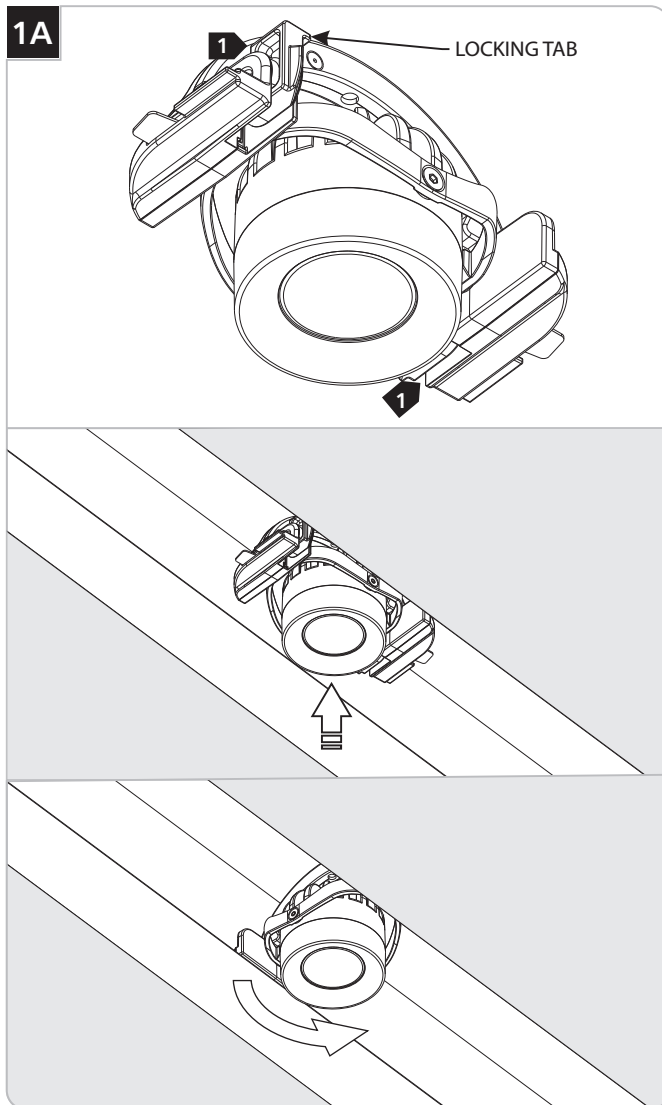
GENERAL PRODUCT INFORMATION:

This product is suitable for dry locations.

Maximum loading of the low-voltage busbar is 240W (20 AMPS).

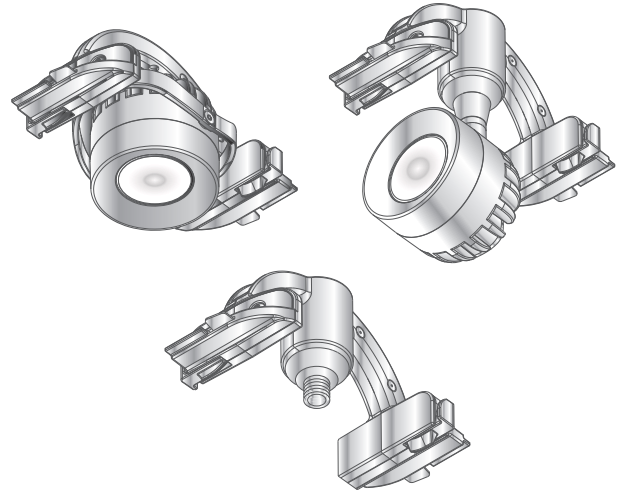
Maximum one spot per foot of linear panel.

Install Modules

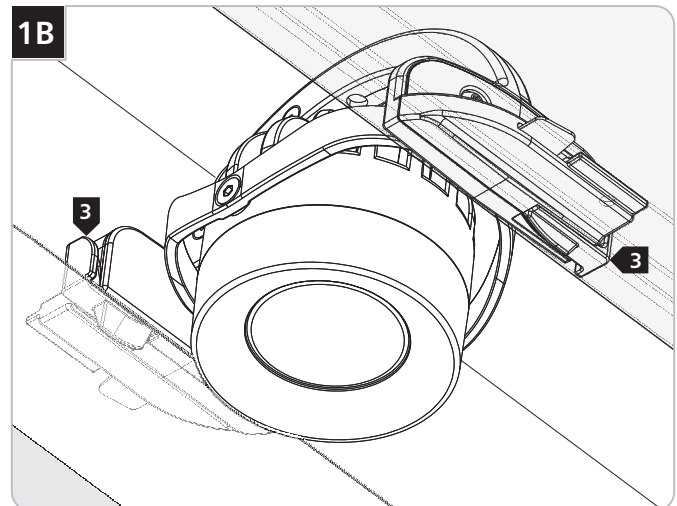


1 Ensure that the locking tabs are in the upward position.

2 Install the modules into the fixture channel at the desired location and rotate them 90° into place.

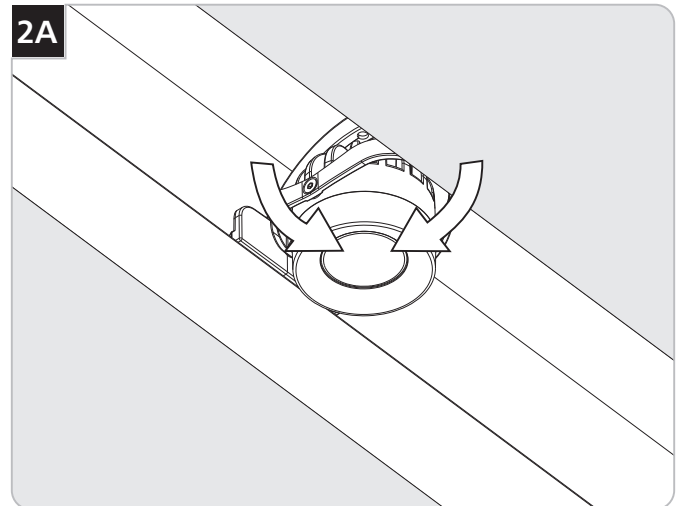


SAVE THESE INSTRUCTIONS!



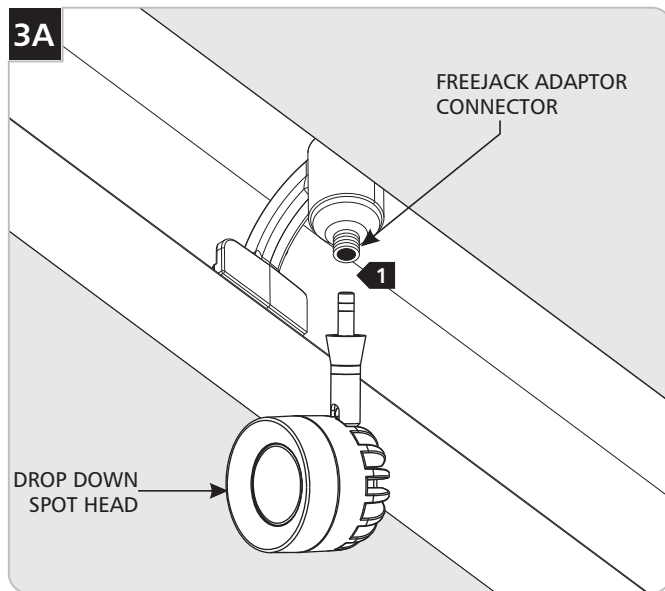
3 Lock the modules into place by rotating locking tabs downward.

Adjust the Gimbal Spot Head

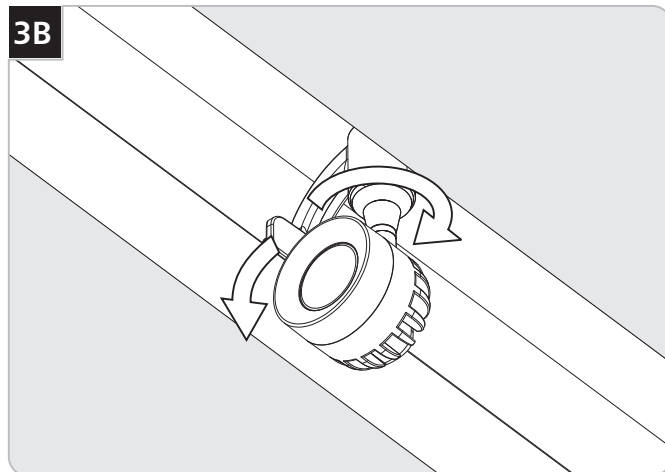


3 Aim the modules to the desired location by tilting it on either axis.

Install the Drop Down Spot Head

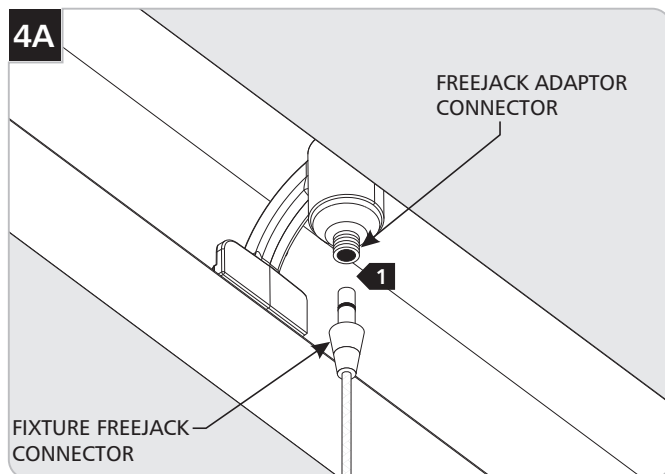


- 1 Screw the drop down spot head into the FreeJack female connector.



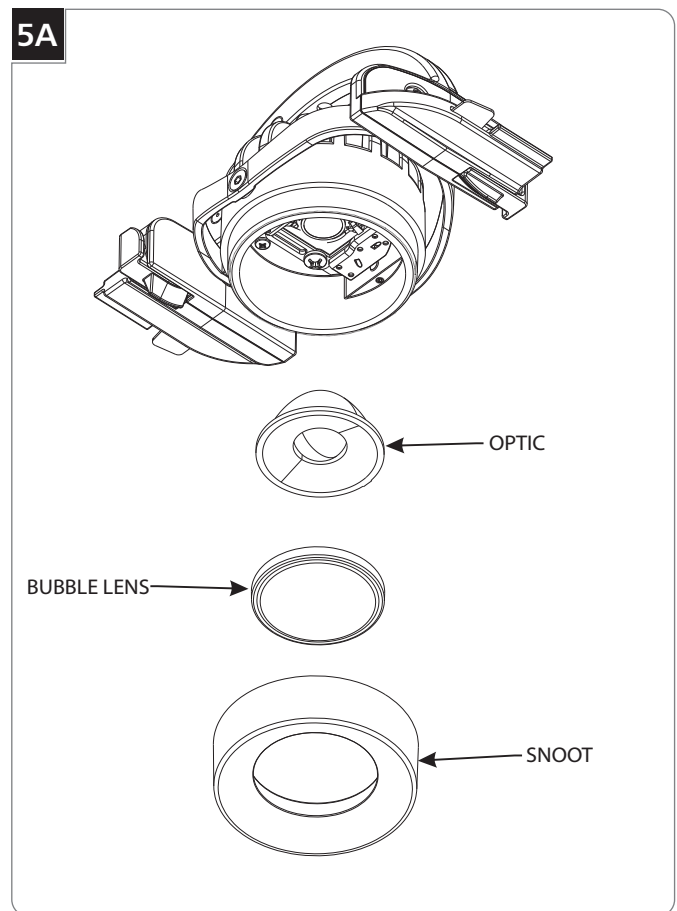
- 1 Tilt and/or rotate the spot head to the desired location.

Install FreeJack Fixture



- 1 Screw the Fixture FreeJack male connector into the FreeJack female connector.

Replace/Install Optics and Lenses



- 1 Unscrew and remove the snoot.
- 2 Remove the optic.
- 3 If installing an optional lens, discard the Bubble Lens and rest the optional lens (maximum two) inside the snoot.
- 4 Install the optic (replacement or existing) inside the snoot.
- 5 Screw the snoot back on.

 **TECH LIGHTING**

7400 Linder Ave., Skokie, IL 60077
T 847.410.4400 | F 847.410.4500
www.techlighting.com