

Merge 3 - Corners Flush Mount

1.0



GENERAL PRODUCT INFORMATION:

This product is suitable for dry locations.

Maximum run length per branch circuit power feed is 80ft.

Maximum run length for low-voltage busbar is 40ft; Multiple 40ft runs may be combined using multiple transformers.

Maximum loading of the low-voltage busbar is 240W (20 AMPS).

This instruction shows a typical installation.



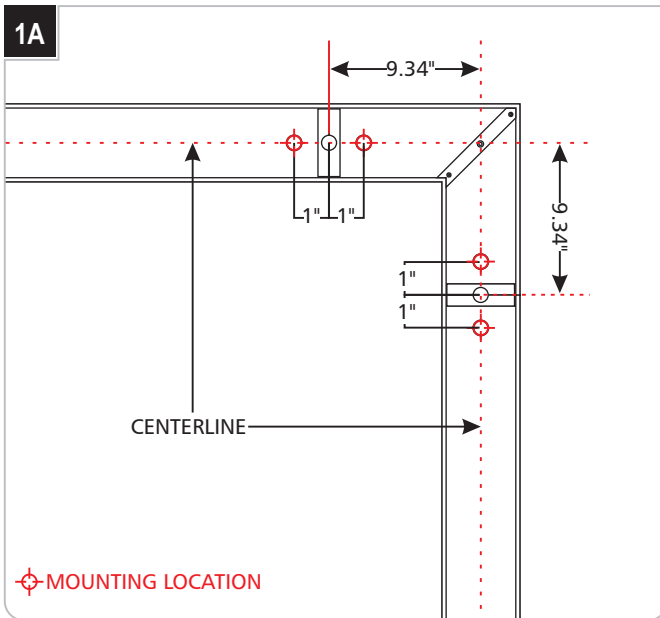
CAUTION - RISK OF FIRE

This product must be installed in accordance with the applicable installation code by a person familiar with the construction and operation of the product and the hazards involved.

Use minimum 90°C supply conductors.

NOTE: Due to the complexity of this fixture, assistance is recommended for installation.

Prepare the Fixtures

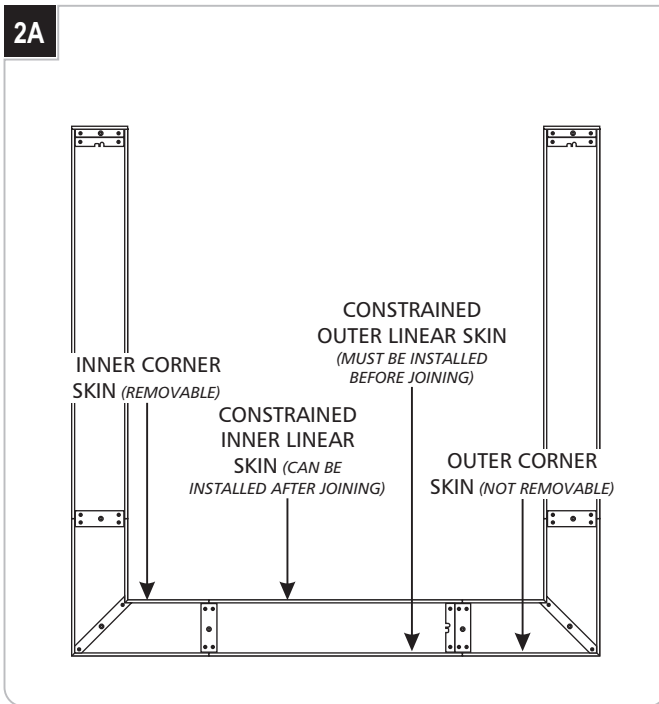


- 1 Follow the instructions included with the linear fixtures for locating, marking and installing the cable or stem posts on the ceiling or grid.
- 2 The centerline of a run is 9.34" from the last mounting location of the run it is perpendicular to as shown.



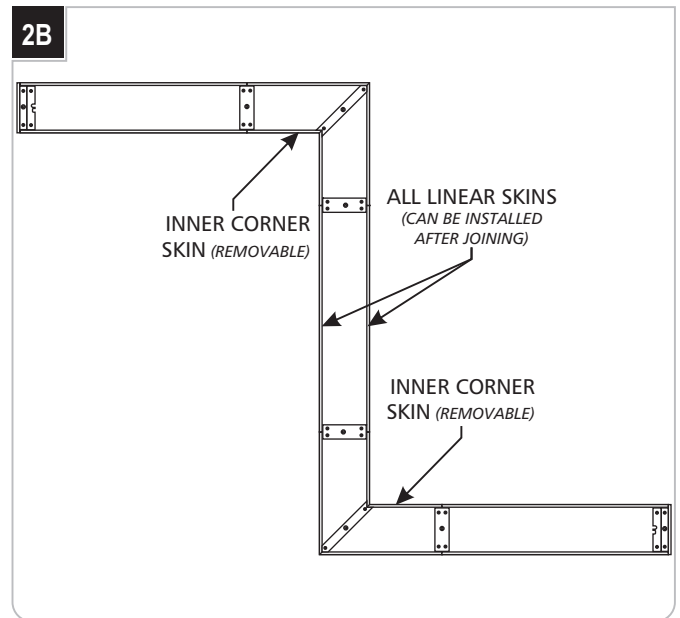
Follow the connection instructions included with the linear fixtures.

Install 2 or More Corner Fixtures in Single Run (Special Instructions)

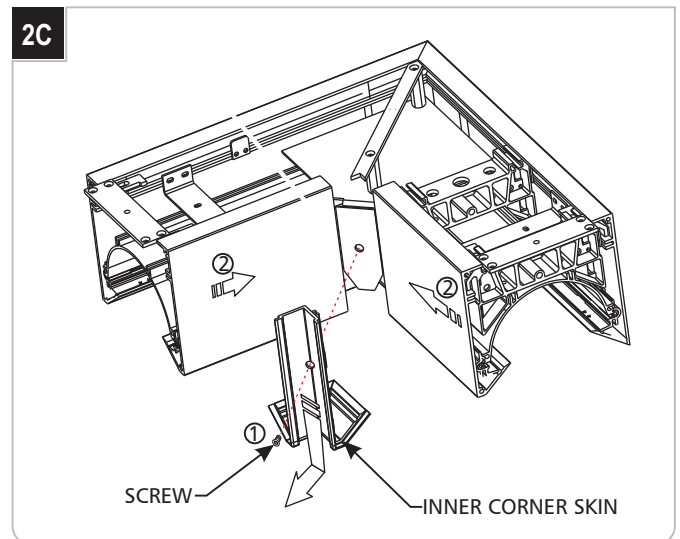


The previous instructions suggest connecting the units together with the side skins removed for ease of access. If installing 2 or more corners in a run, where linear units will be constrained at both ends by corners, please note the following:

- Since the outer corner skins do not move, and since the side skins must be slid into place, any run of side skins which end at both ends at an outer corner skin must be installed before the fixtures are joined together.



- The inner corner skins can be removed so side skins with outer corner skins on only one end can be installed later.



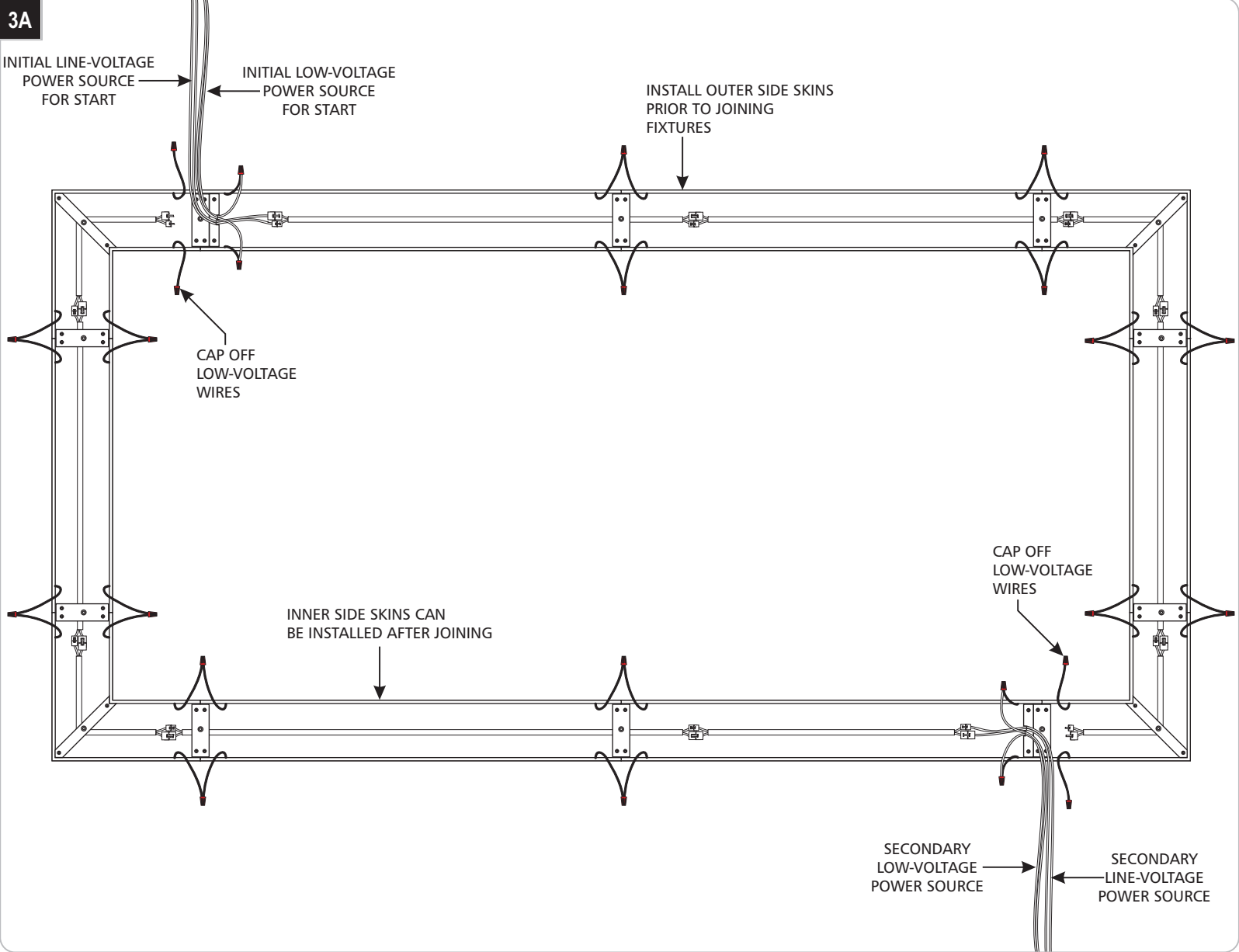
Removing the Skins

- The inner corner skin cover is held in place by a screw. Remove the screw.
 - Slide the skins toward the middle and remove them.
- Since the corner fixtures do not have electrical access plates, the line and low-voltage power can only be dropped into a linear fixture, not a corner.

Enclosed Runs

For an enclosed run, the outer side skins must be installed prior to joining the fixtures as described above.

- If the total run length is more than 80', multiple line-voltage power drops must be used. Do not use a Y-connector to close the loop inside the run.
- If the total run length is more than 40', multiple transformers and low-voltage power drops must be used. Cap off the low-voltage wires at the end of the run. Do not close the loop inside the run.
- If the outer side skins or the reflectors prevent each other from touching, the reflectors in the corners can be moved slightly by loosening the screws in the corner adjustment angles, sliding the reflector in or out, and retightening the screws.



SAVE THESE INSTRUCTIONS!



7400 Linder Ave, Skokie, IL 60077

847.410.4400

www.techlighting.com

© 2018 Tech Lighting, L.L.C. All rights reserved. The "Tech Lighting" graphic is a registered trademark of Tech Lighting, L.L.C. Tech Lighting reserves the right to change specifications for product improvements without notification.

A Generation Brands Company