

Merge 1.5 - Drop Down Spot Head and FreeJack Adaptor

1.0

TECH LIGHTING®

MERGE

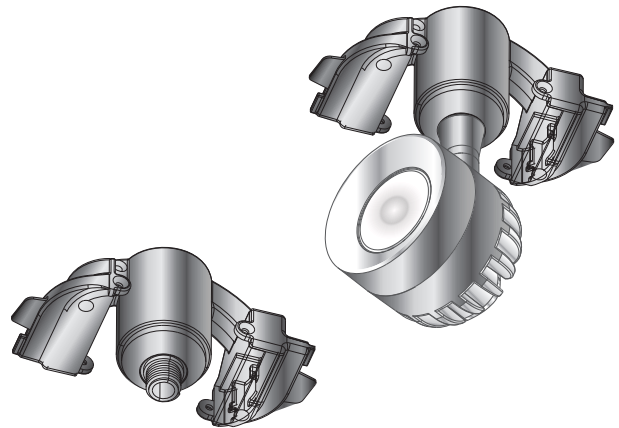
GENERAL PRODUCT INFORMATION:



This product is suitable for dry locations.

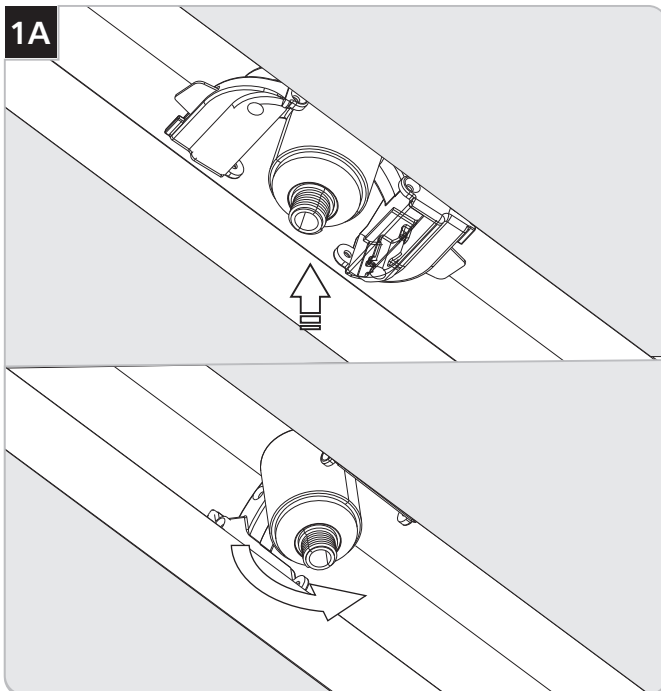
Maximum loading of the low-voltage busbar is 240W (20 AMPS).

Maximum one spot per foot of linear panel.



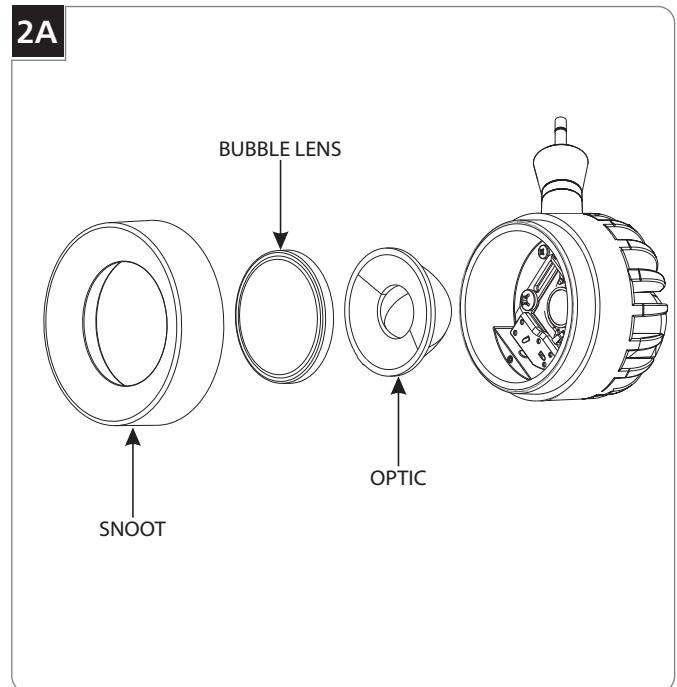
SAVE THESE INSTRUCTIONS!

Install Modules



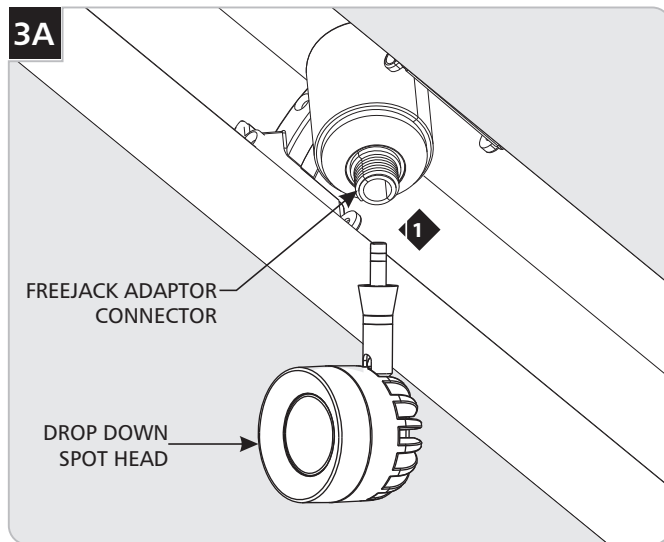
- 1 Install the modules into the fixture channel at the desired location and rotate them 90° into place.

Replace/Install Optics and Lenses

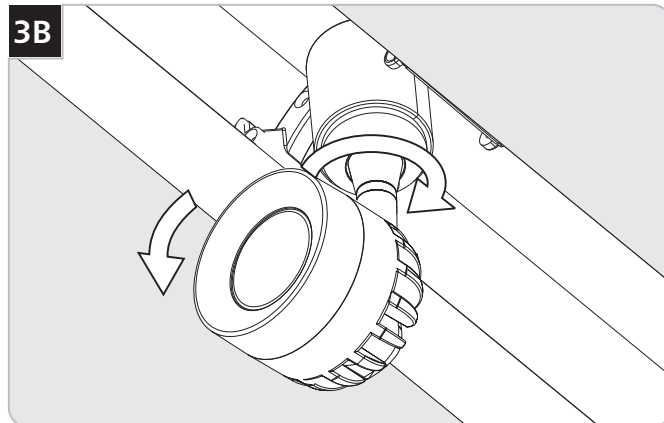


- 1 Unscrew and remove the snoot.
- 2 Remove the optic.
- 3 If installing an optional lens, discard the bubble lens and rest the optional lens (maximum two) inside the snoot.
- 4 Install the optic (replacement or existing) inside the snoot.
- 5 Screw the snoot back on.

Install the Drop Down Spot Head

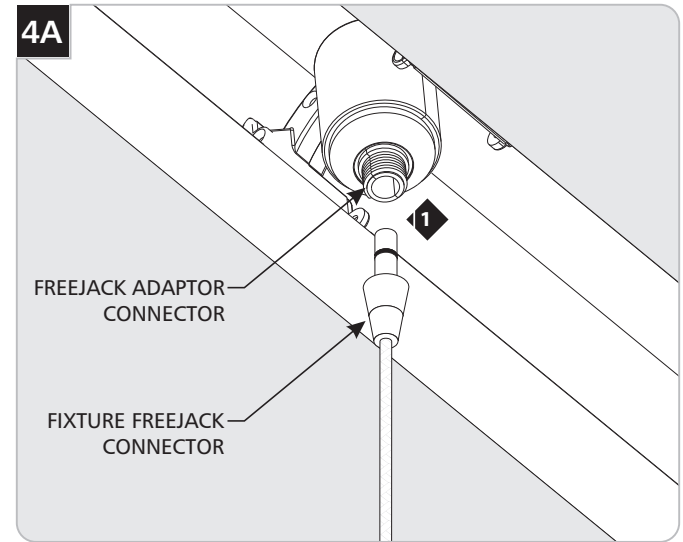


- 1 Screw the drop down spot head into the FreeJack female connector.



- 2 Tilt and/or rotate the spot head to the desired location.

Install FreeJack Fixture



- 1 Screw the Fixture FreeJack male connector into the FreeJack female connector.