

Entra CL2 Round or Square Remodel Adjustable LED Fixture

ENCL2R_ 1.0

 **TECH LIGHTING®**
RECESSED

GENERAL PRODUCT INFORMATION:



This product is suitable for indoor locations.

This product can be dimmed with a standard electronic dimmer.

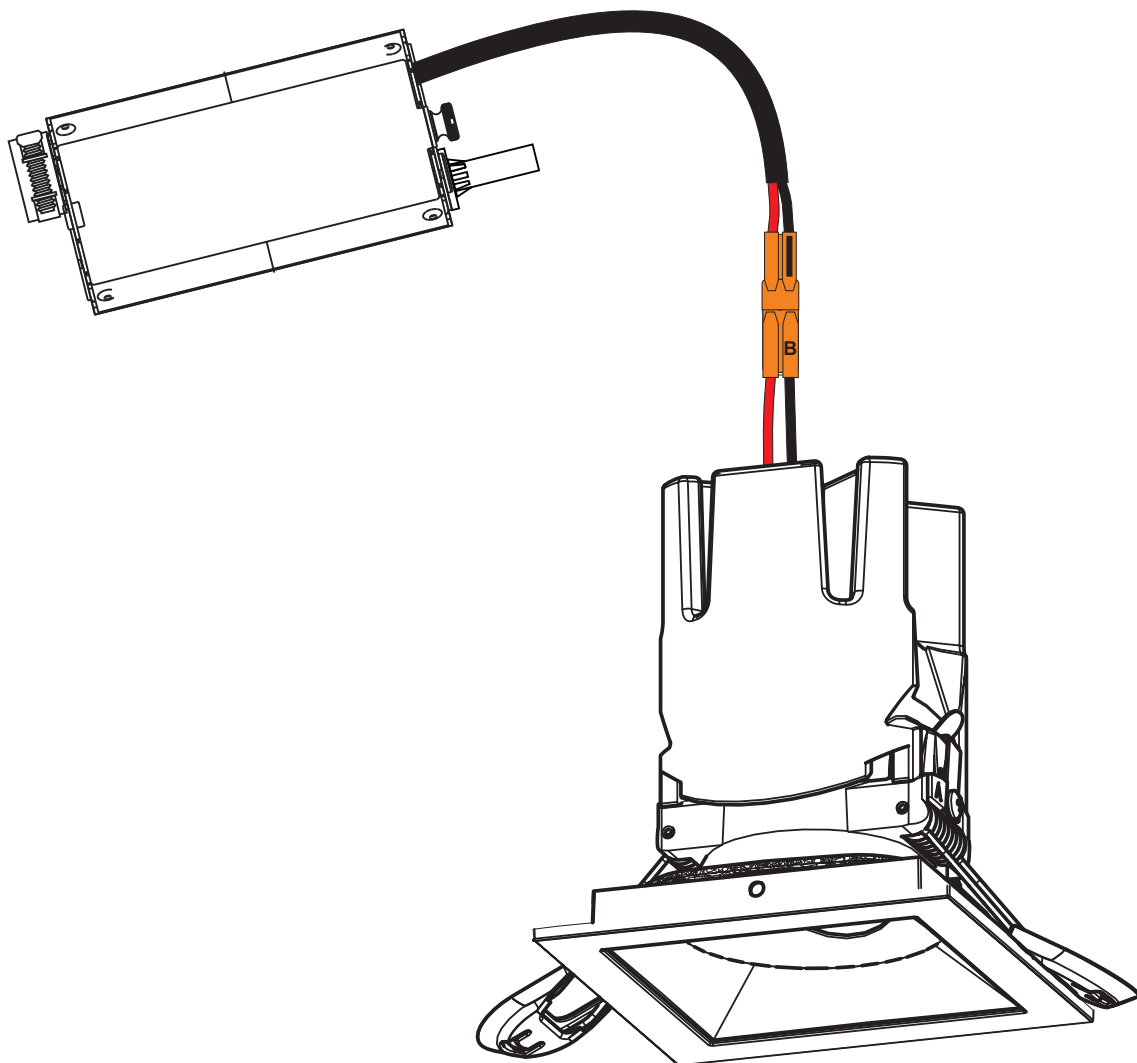
This instruction shows a typical installation.

CAUTION - RISK OF FIRE

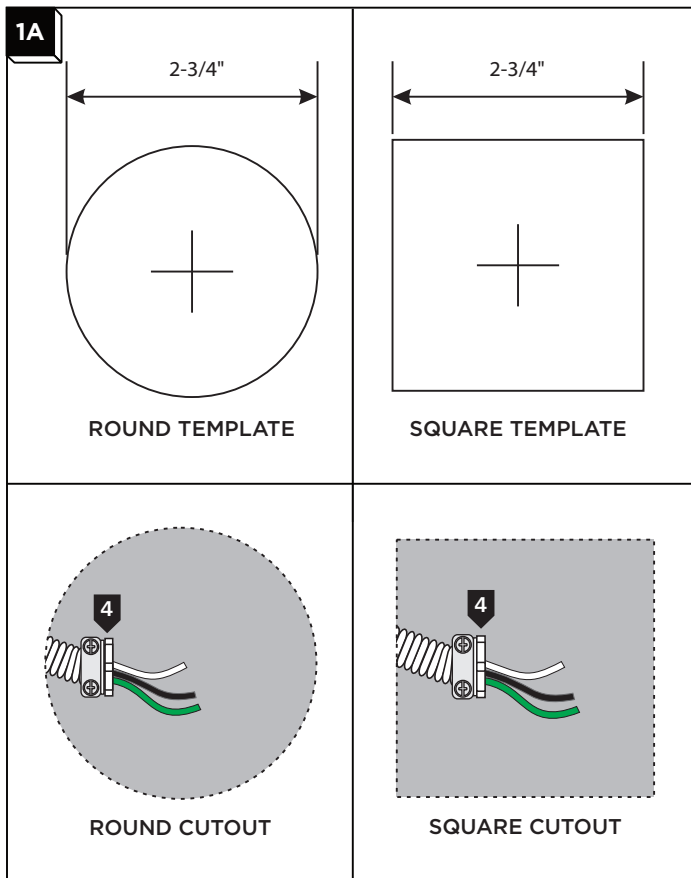
This product must be installed in accordance with the applicable installation code by a person familiar with the construction and operation of the product and the hazards involved.

Use minimum 90°C supply conductors.

SAVE THESE INSTRUCTIONS!

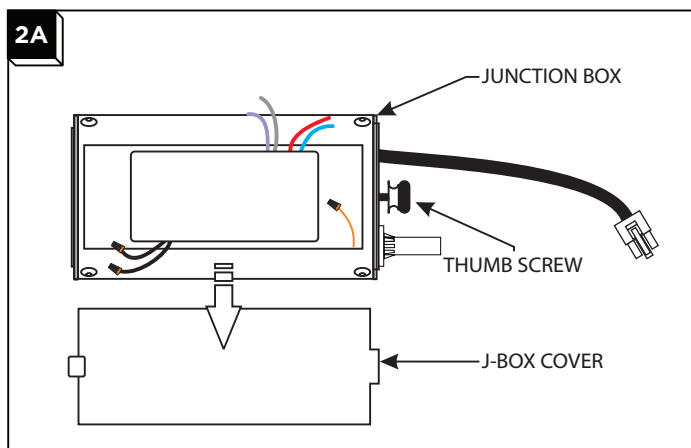


Prepare for Installation

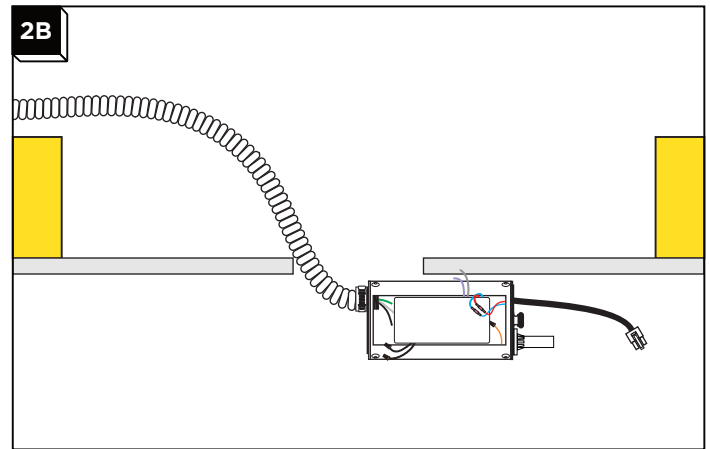


- 1 Make the cutout(s) in the ceiling at the desired location using the templates found on the last page.
- 2 For round fixtures a 2-3/4" hole saw can also be used.
- 3 If necessary, use a laser to align multiple fixtures.
- 4 Bring conduit to the ceiling cutout(s).

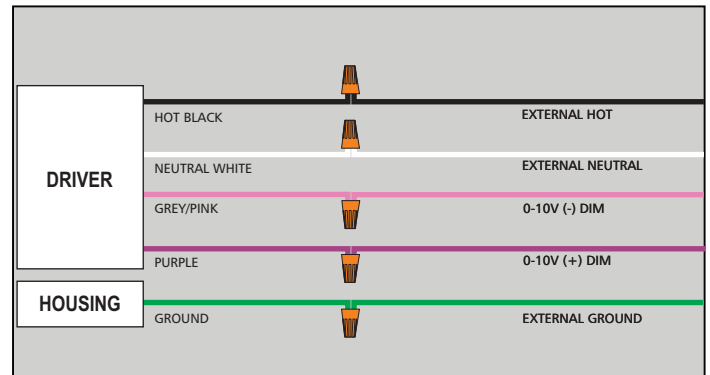
Install the Junction Box



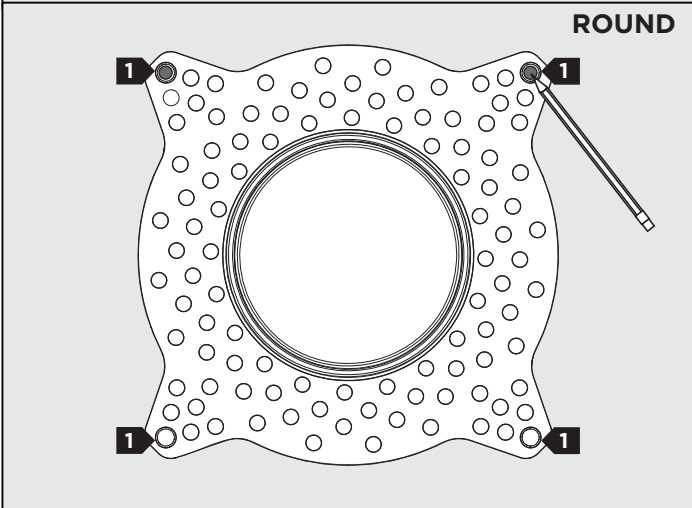
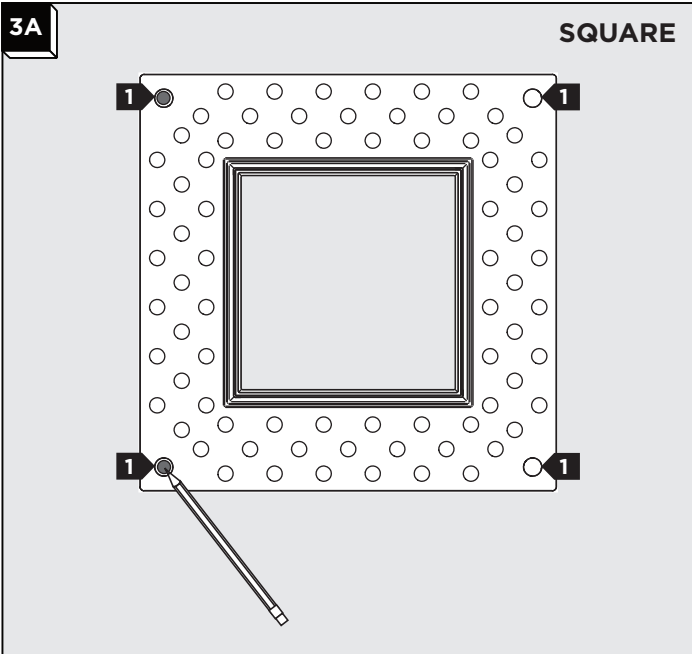
- 1 Open the junction box by loosening the thumb screw.
- 2 Pull up on the cover to remove it.



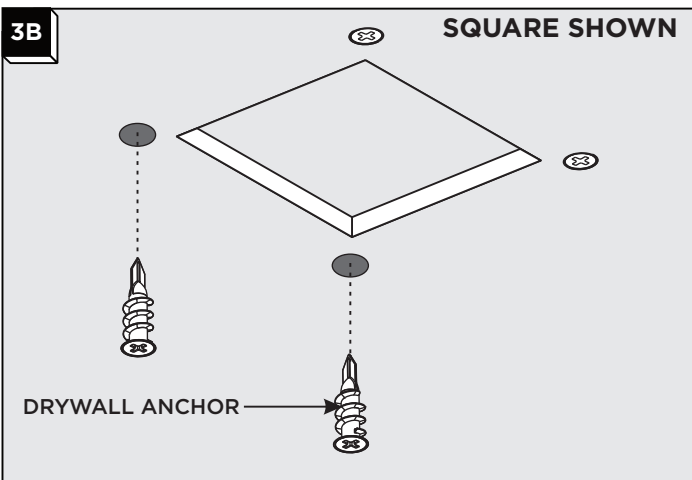
- 3 Connect flexible conduit or Romex to junction box with the proper fitting.
- 4 Use the following wiring diagram to wire your fixture accordingly.
- 5 Make sure to cap 0-10V dimming wires if not being used.



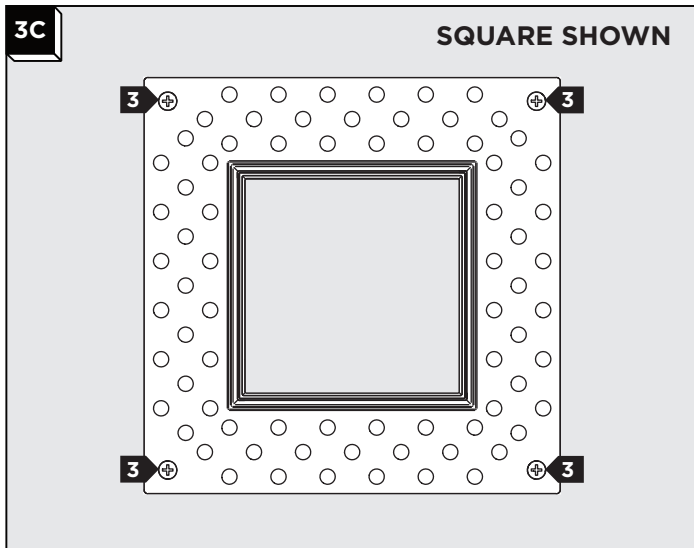
Install the Plaster Ring (Flangeless Version Only)



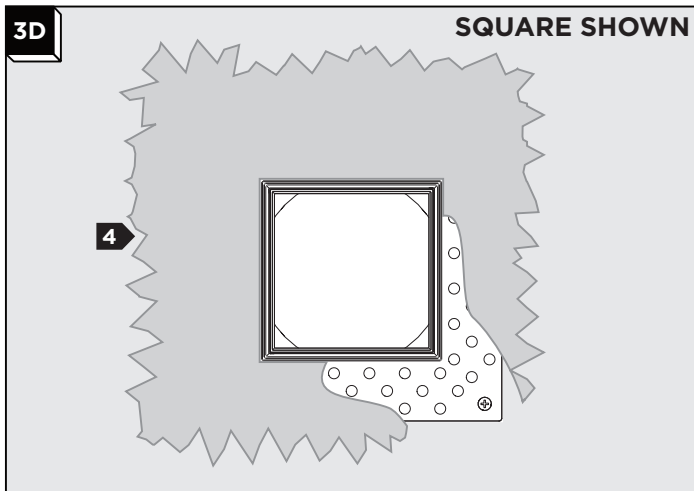
1 Mark the location of the four mounting holes, located in the corners of the plaster ring.



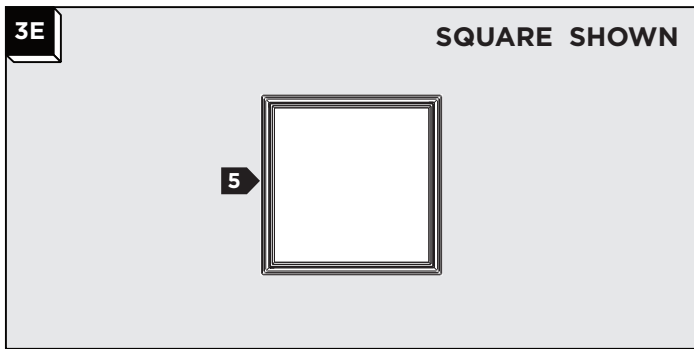
2 Install the four drywall anchors in the marked locations.



3 Secure the plaster ring by screwing the #8 screws (1" length) screws into the anchors.



4 Properly plaster onto the plaster ring and drywall.

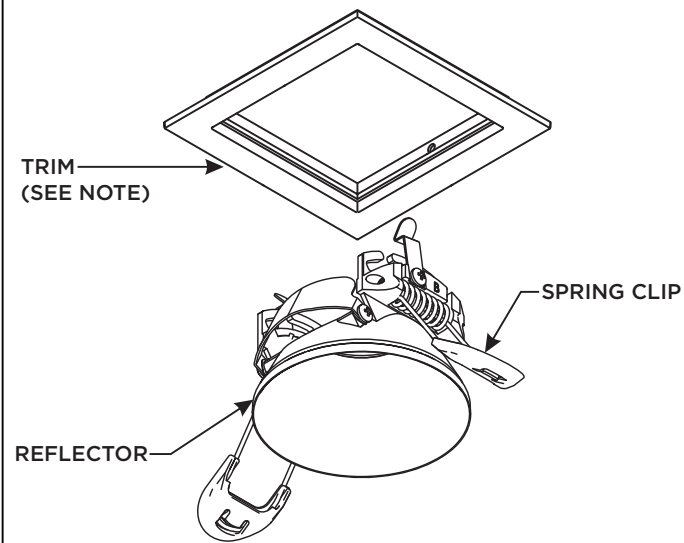


5 Finish around the fixture to match drywall.

Assemble the Fixed or Adjustable Trim/Light Module

4A

SQUARE SHOWN

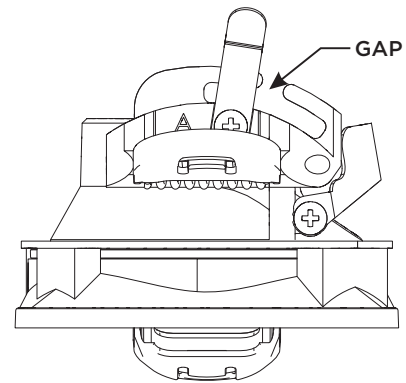
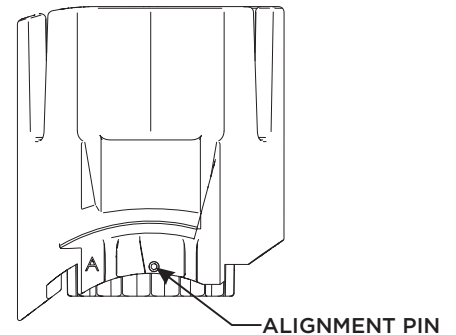
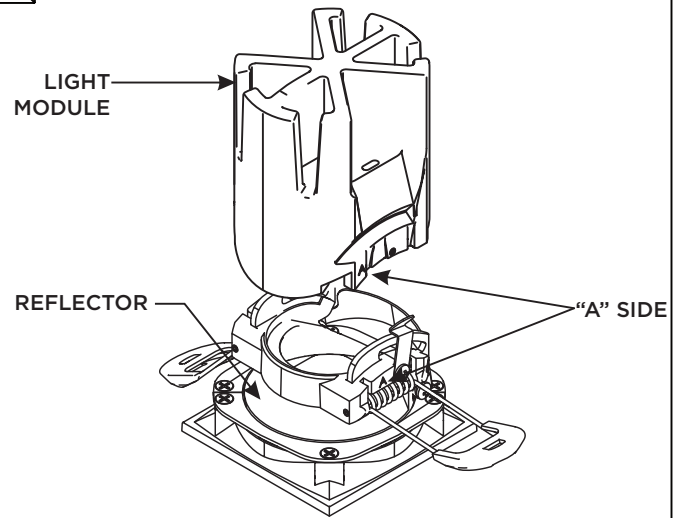


NOTE: Trim is included with flanged versions only. Skip this step for flangeless versions where plaster ring is provided.

- 1 Press the spring clips inward and feed the reflector through the trim until they snap together.

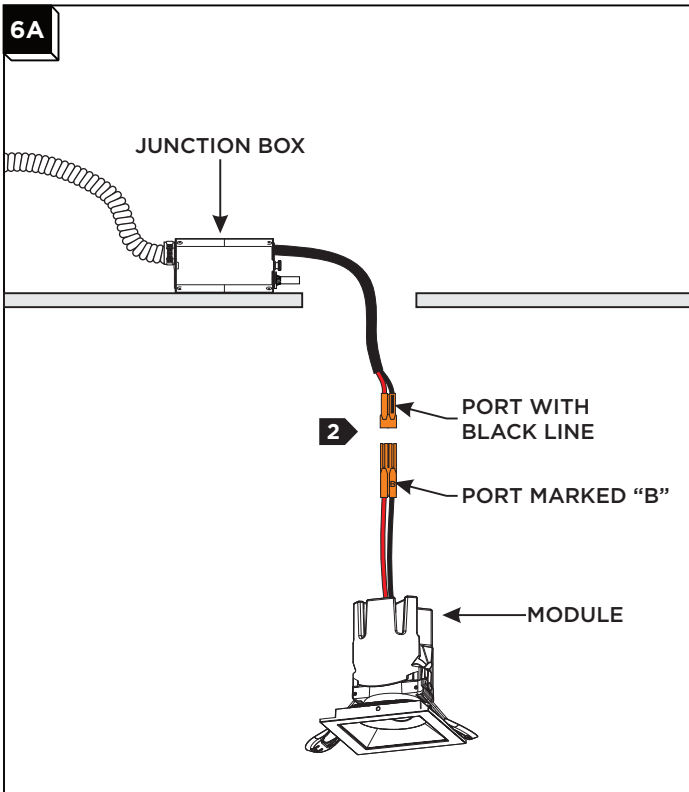
4B

SQUARE SHOWN

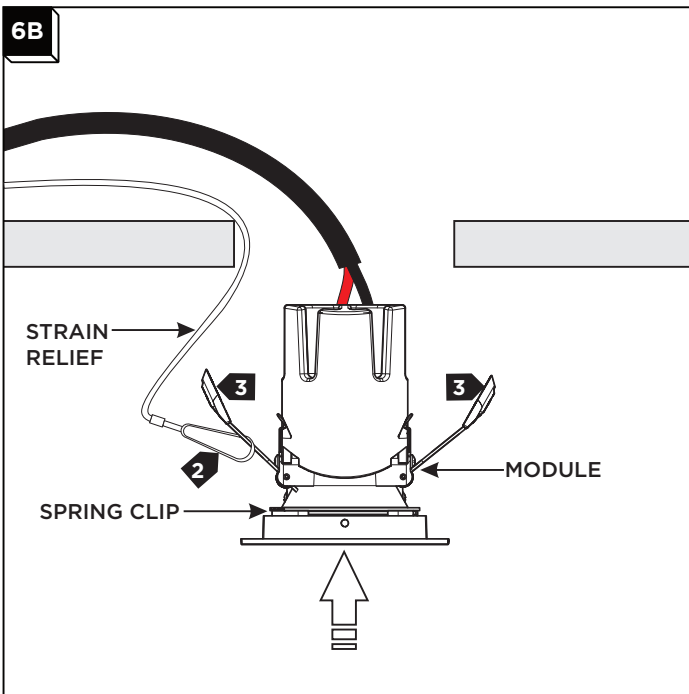


- 2 Carefully snap the light module and reflector together. On the adjustable versions, make sure to align the "A" sides and "B" sides of the two parts. Also, make sure the alignment pin on the light module passes through the gap in the mounting groove on the reflector.

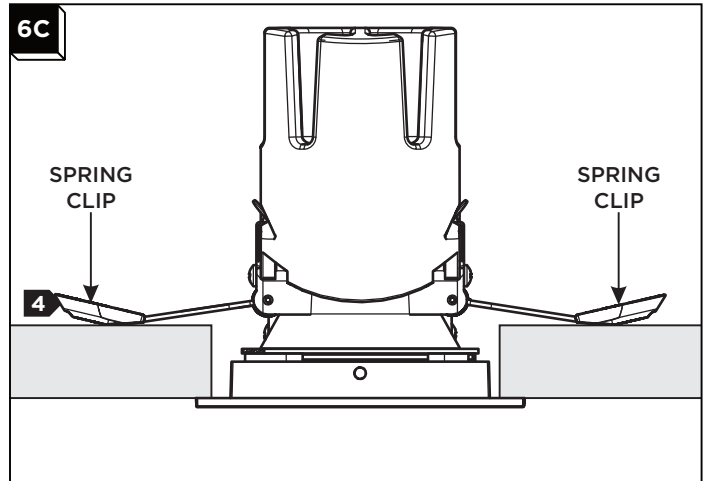
Install the Light Module



- 1 Connect the jumper cable to the housing wire making sure the port marked "B" is paired with the port with a black line.

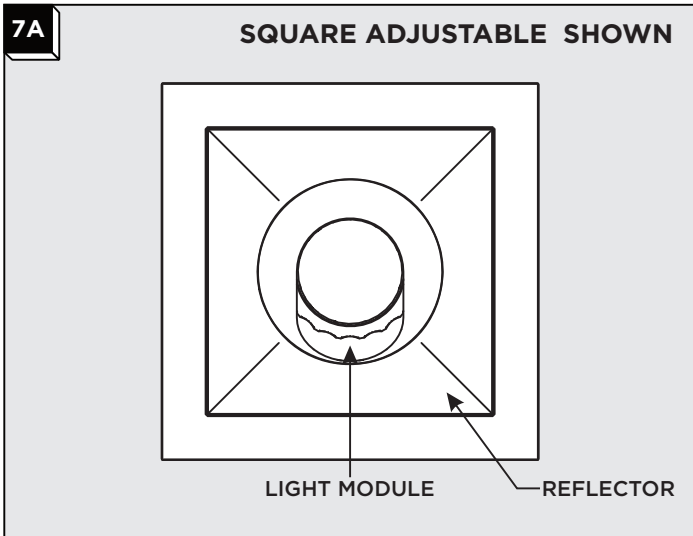


- 2 Attach the strain relief clip onto one of spring clip legs.
- 3 Push the spring clips inward.
- 4 Insert the module into the ceiling. Flangeless versions will rest inside the lip of the plaster ring.



- 5 Release the spring clips to secure in place

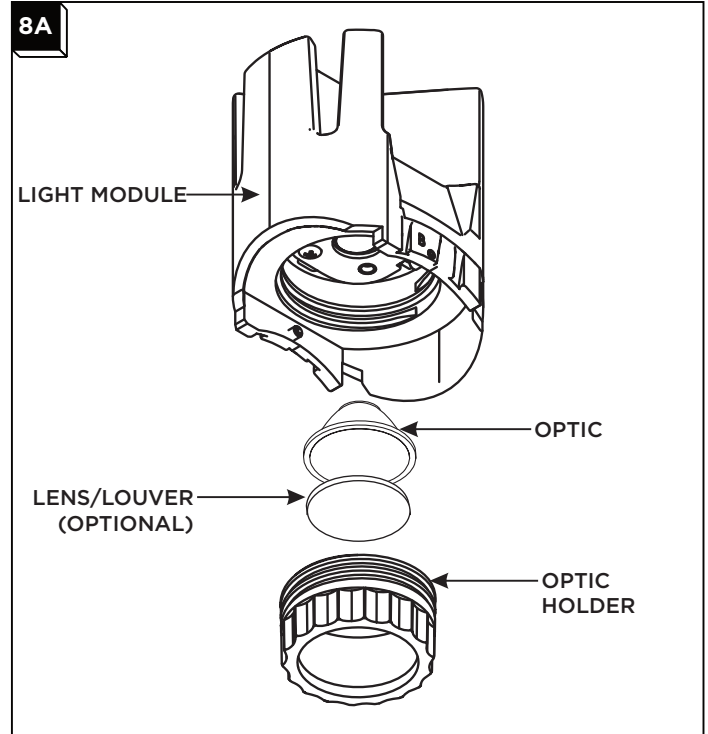
Adjust the Module (Adjustable Versions Only)



- 1 Using your fingers, adjust the direction of the light **making sure to turn the module not the reflector** (see note below).

NOTE: The light module may be rotated up to 45 degrees when inside the housing. Remove the module from the housing to rotate another 45 degrees if necessary, then carefully reinstall the module into the housing.

Install or Replace Optics and Lenses/Louvers



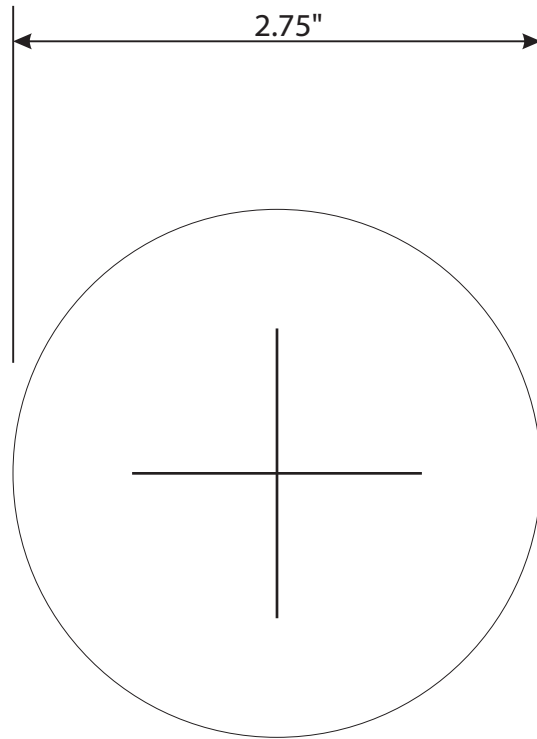
- 1 Unscrew and remove the optic holder from the light module.
- 2 Remove the old optic.
- 3 If installing a lens or louver, remove the rubber gasket from the optic holder to allow room for lens or louver installation. If not installing a lens or louver, skip this step. **NOTE: Only one lens or louver may be installed at a time. Warm Dim Light Module ships standard with diffusing Lens, recommended for optimal color mixing.**
- 4 Install the new optic into the optic holder.
- 5 Make sure the lens, louver, optic or gasket are properly seated in the optic holder, then screw the optic holder back onto the light module



7400 Linder Ave., Skokie, IL 60077
T 847.410.4400 | F 847.410.4500
www.techlighting.com

Ceiling Cutout Templates

ROUND TEMPLATE



WARNING: If printing this template, ensure printer settings are set to actual size

SQUARE TEMPLATE

