

**6" Adjustable Retrofit****ER6A-L\_ 1.1****SAVE THESE INSTRUCTIONS!****GENERAL PRODUCT INFORMATION:**

This product may be dimmed with a TRIAC "incandescent" dimmer, but an electronic low-voltage (ELV) dimmer is recommended for best performance. For a complete list of compatible dimmers, please visit:

<http://www.element-lighting.com/Downloads#dimming>

For best performance, more than one fixture per dimmer may be needed in order to meet the minimum dimmer load. Refer to the dimmer manufacturer's recommendation.

**WARNING:** Inspect for damage on all parts of the recessed can that are not intended to be replaced by the retrofit fixture and replace the damaged parts prior to installation of the retrofit fixture.

The retrofit kit is accepted as a component of a luminaire where the suitability of the combination shall be determined by CSA or authorities having jurisdiction.

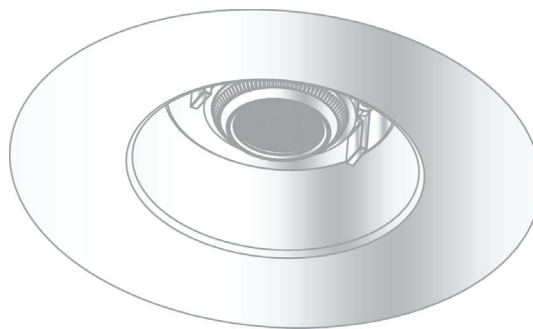
Suitable for damp locations.

**WARNING – Risk of fire or electric shock.** LED Retrofit Kit installation requires knowledge of luminaires electrical systems. If not qualified, do not attempt installation. Contact a qualified electrician.

**WARNING – Risk of fire or electric shock.** Install this kit only in luminaires that have the construction features and dimensions shown in the photographs and/or drawings and where the input rating of the retrofit kit does not exceed the input rating of the luminaire.

**WARNING – To prevent wiring damage or abrasion,** do not expose wiring to edges of sheet metal or other sharp objects.

Ensure all parts are included in the packaging before beginning installation.

**INFORMATIONS GÉNÉRALES SUR LE PRODUIT:**

Ce produit peut être atténuée avec un TRIAC "incandescente" gradateur, mais une basse tension électronique (ELV) gradateur est recommandé pour de meilleures performances. Pour une liste complète des variateurs compatibles, se il vous plaît visitez: <http://www.element-lighting.com/Downloads#dimming>

Pour de meilleures performances, plus d'un appareil par gradateur peut être nécessaire pour répondre à la charge minimum gradateur. Reportez-vous à la recommandation du constructeur gradateur.

**AVERTISSEMENT:** Inspectez pour les dommages sur toutes les pièces de la boîte en retrait qui ne sont pas destinés à être remplacé par l'appareil de rénovation et de remplacer les pièces endommagées avant l'installation du luminaire de rénovation.

Le kit de modification est acceptée comme une composante d'un luminaire où la pertinence de la combinaison sera déterminée par la CSA ou les autorités ayant juridiction.

Convenable pour les endroits humides.

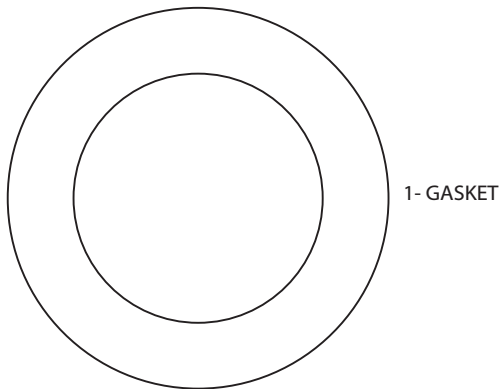
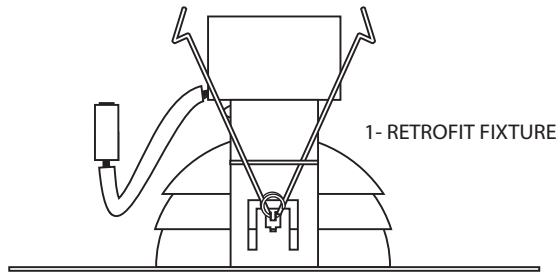
**AVERTISSEMENT - Risque d'incendie ou de choc électrique.** Installation du kit Retrofit LED Nécessite une connaissance des systèmes de luminaires électriques. Si ce n'est pas qualifié, faire pas tenter l'installation. Contactez un électricien qualifié.

**AVERTISSEMENT - Risque d'incendie ou de choc électrique.** Installez ce kit dans des luminaires qui ont les caractéristiques de construction et dimensions indiquées dans les photographies et / ou dessins et où la capacité d'entrée de la trousse de réparation ne dépasse pas la capacité d'entrée du luminaire.

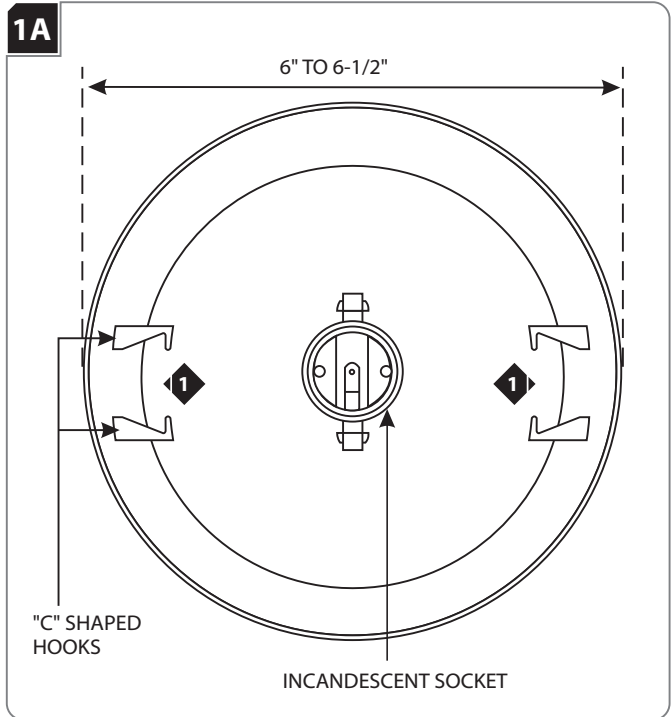
**AVERTISSEMENT - Pour éviter d'endommager le câblage ou à l'abrasion,** ne pas exposer le câblage aux bords de tôle ou d'autres objets pointus.

Assurer que toutes les pièces sont incluses dans l'emballage avant de commencer l'installation.

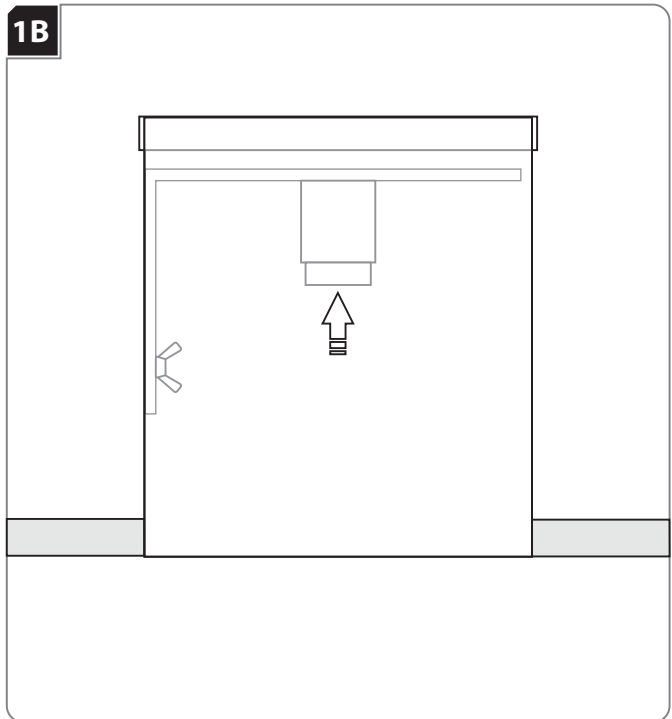
## Packaging Content:



## Down Light Specification

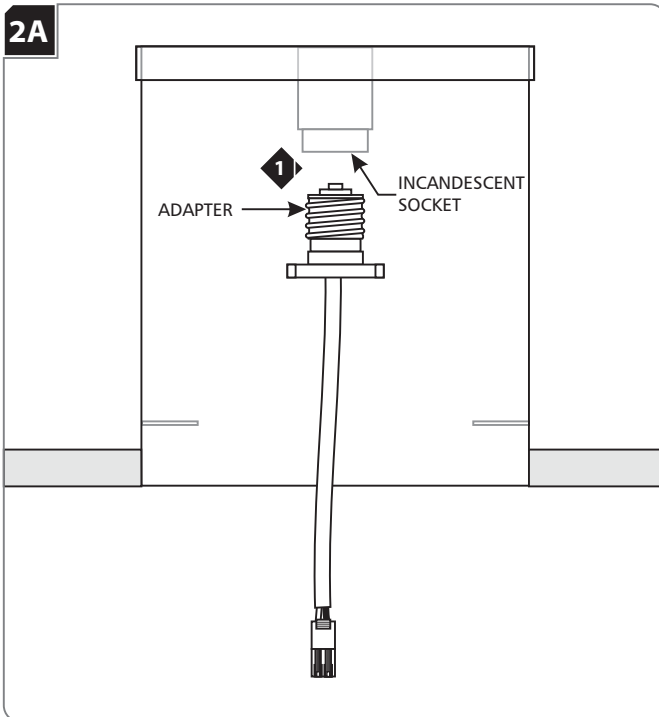


- 1 This retro fit recessed can adapter can be mounted to down light's that are 6" to 6-1/2" in diameter. They may be install either with the use of "C" shape hooks which are located on the inside of the can wall or with the included butterfly brackets if no C-hooks are available.

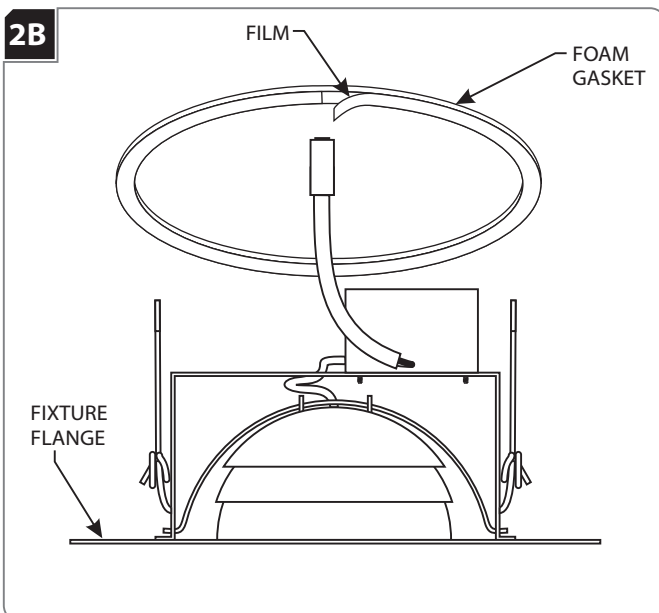


- 2 If your recessed housing has an adjustable socket height, raise the socket to the highest position in order to have the most clearance to install the retrofit kit.

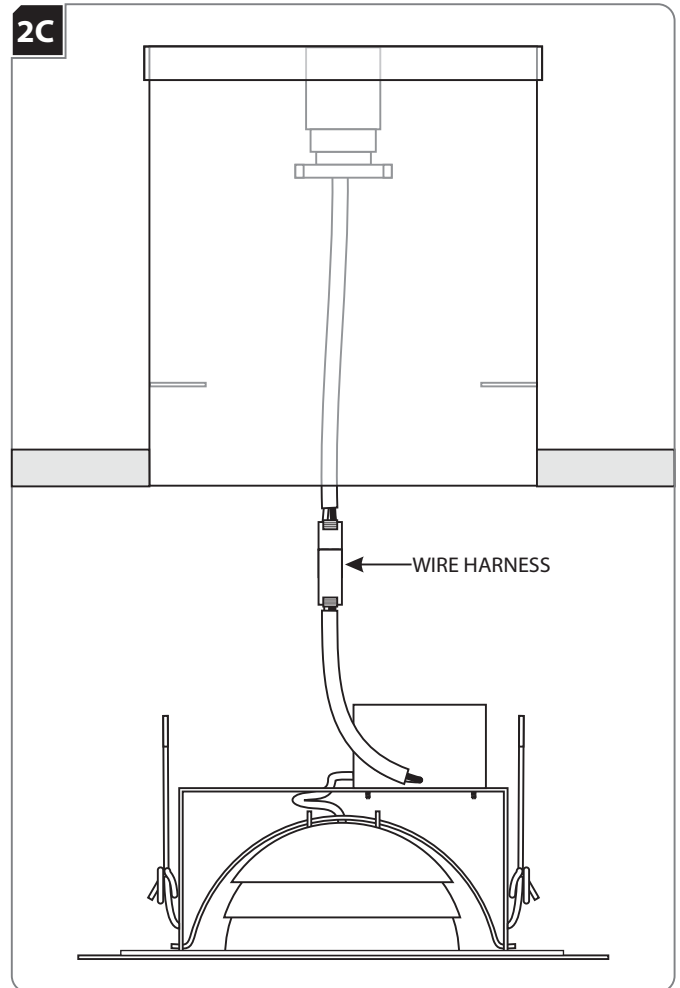
## Install the Adapter



1 Screw the adapter tightly into the medium base socket.



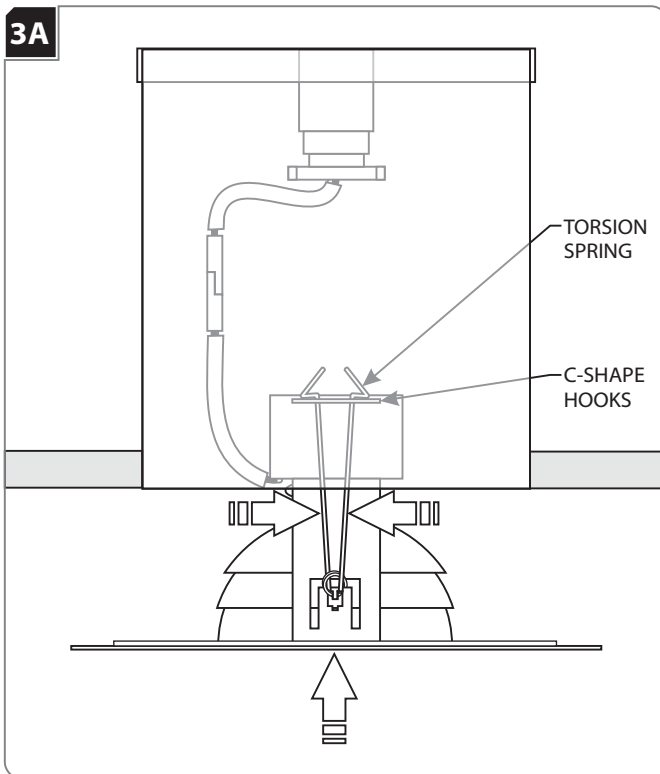
2 To help create an airtight seal between the fixture and the ceiling, remove the film off the adhesive side of the foam gasket and adhere it to the flange of the fixture.



3 Using the wire harnesses, connect the adapter to the fixture.

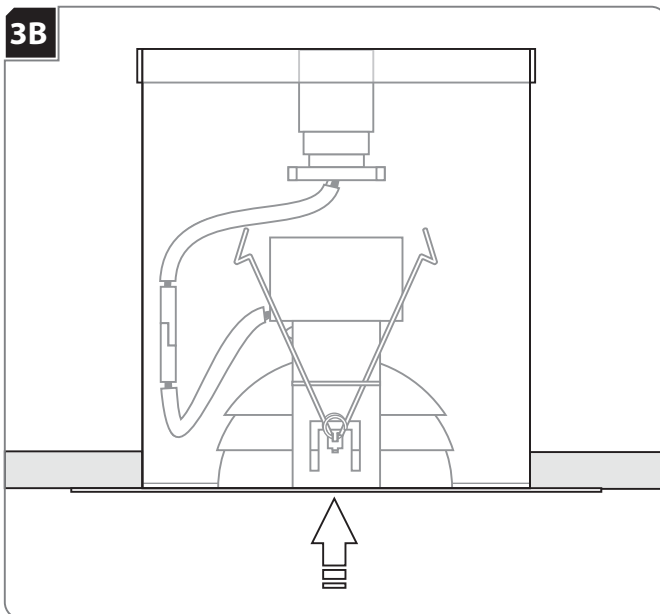
## Install the Fixture (C-Hook Version)

**3A**



- 1 Squeeze the torsion springs on each side and insert them in between the c-shaped hooks located on both sides of the recessed can.

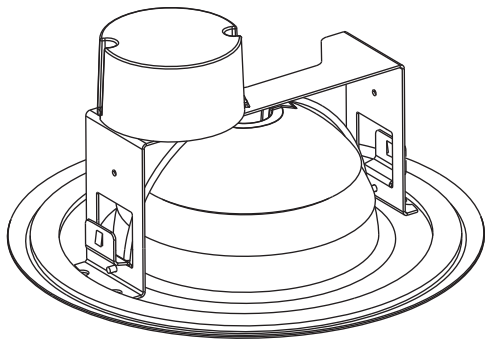
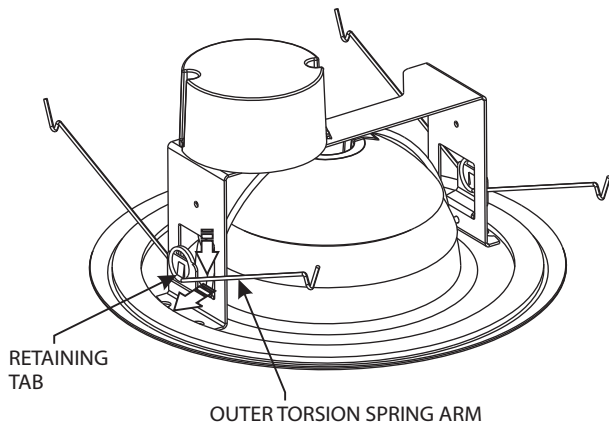
**3B**



- 2 Ensure that the fixture wires are tucked neatly inside the recessed can and push the fixture flush against the ceiling.

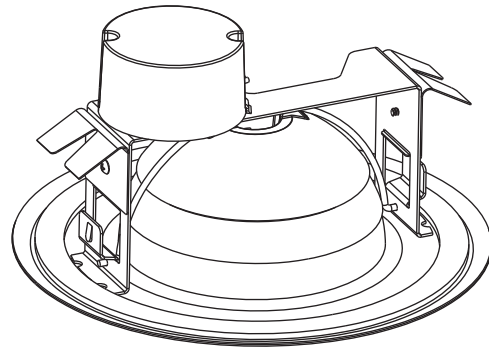
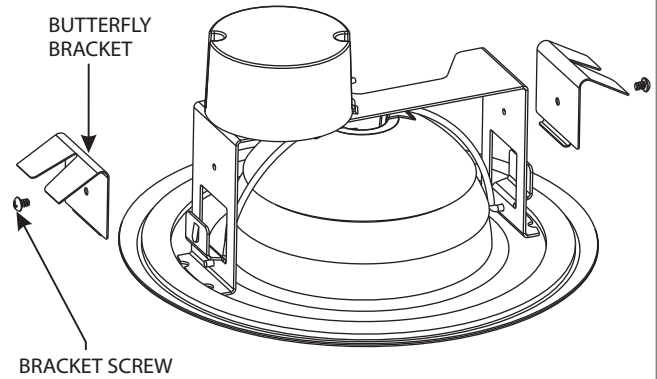
## Install the Fixture (Butterfly Bracket Version)

4A



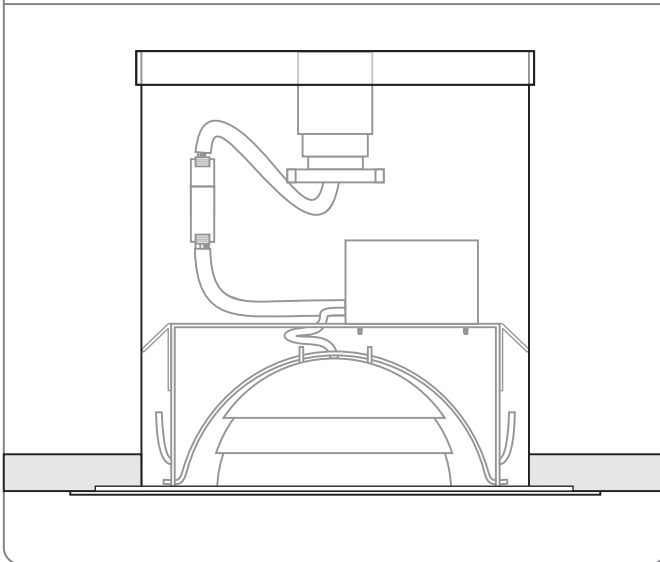
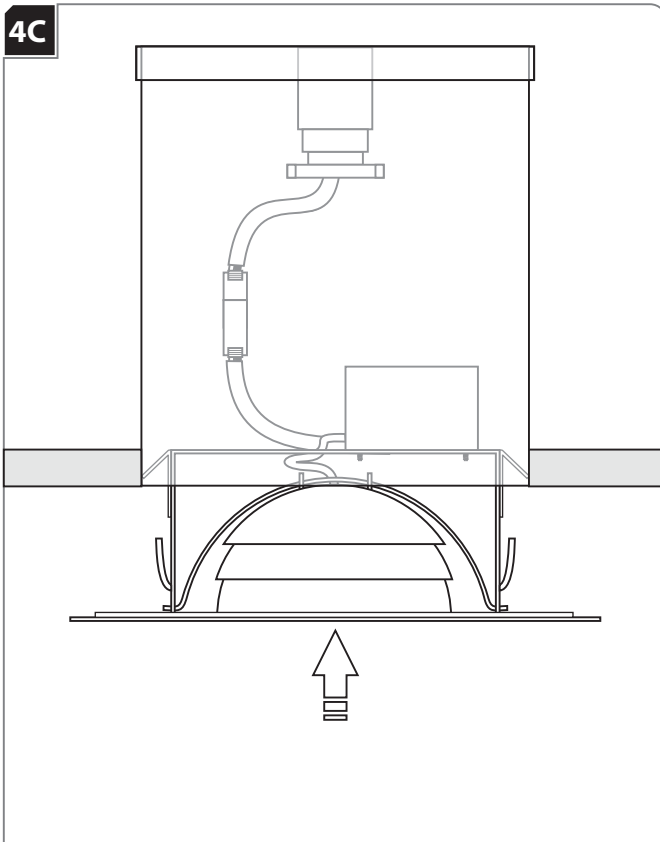
- 1 Pull the outer torsion spring arm outward and out of the retaining tab in order to completely remove the torsion springs.

4B



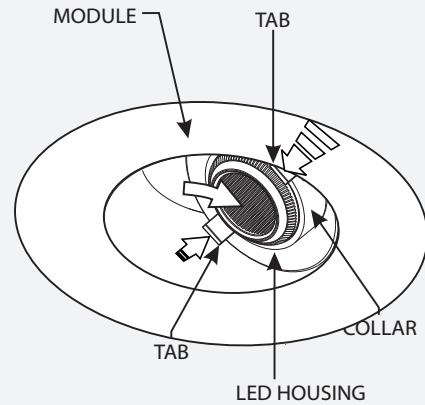
**NOTE:** Make sure to install the brackets angled outward away from the fixture.

- 2 Using the bracket screws, tightly secure the butterfly brackets to each side of the fixture frame with a Philips head screwdriver. Make sure to install the brackets angled outward away from the fixture.

**4C**

- 3 Ensure that the fixture wires are tucked neatly inside the recessed can and push the fixture flush against the ceiling.
- 4 Gently pull down the fixture to ensure it is secure to the housing.

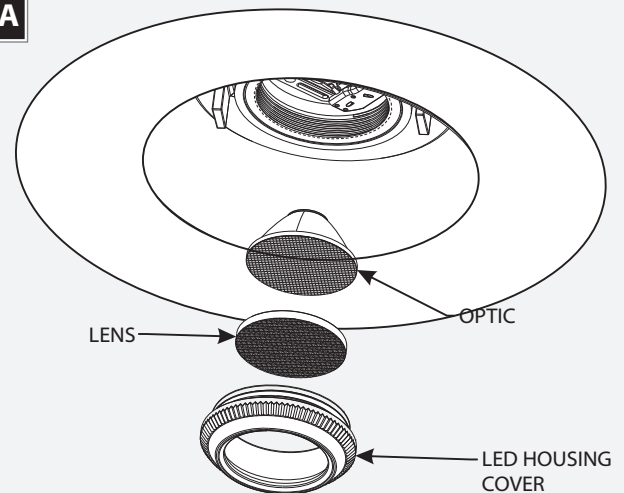
## Adjust the Lamp

**5A**

**WARNING:** Always squeeze the two tabs when adjusting the LED housing. Failure to do so will damage the finish.

- 1 Squeeze the LED housing tabs and rotate the LED housing to the desired position.
- 2 Rotate the collar to move the tab locations if necessary.

## Optics and Lenses

**6A**

- 1 Unscrew and remove the LED housing cover.
- 2 Remove the optic.
- 3 If installing an optional lens, rest the lens inside the housing cover.
- 4 Install the optic (replacement or existing) inside the LED housing cover.
- 5 Screw the LED housing cover back on.

**NOTES:**



7400 Linder Ave., Skokie, IL 60077

T 847.410.4400 | F 847.410.4500

[www.techlighting.com](http://www.techlighting.com)