

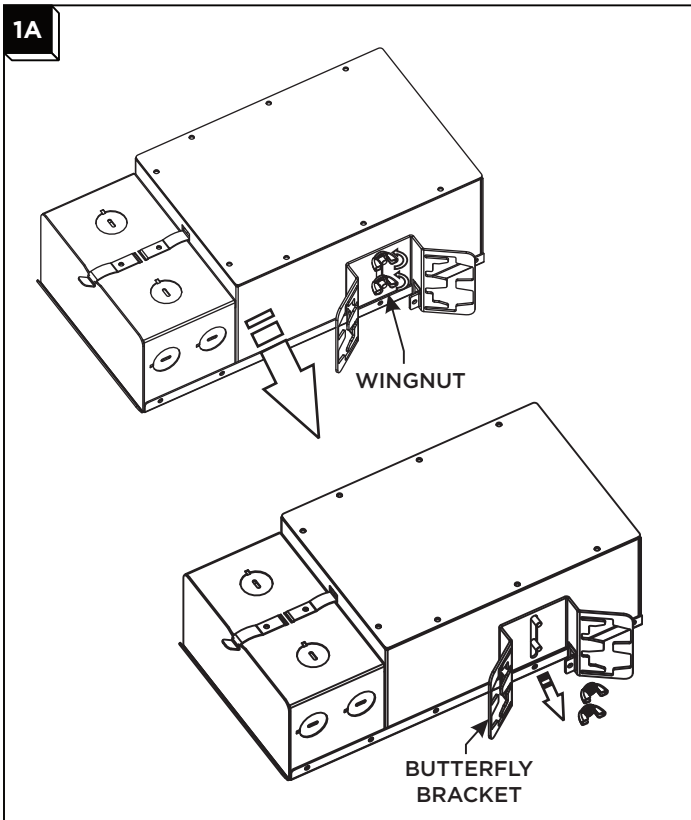
ELEMENT 4" Pro Hanger Bar Replacement

1.0



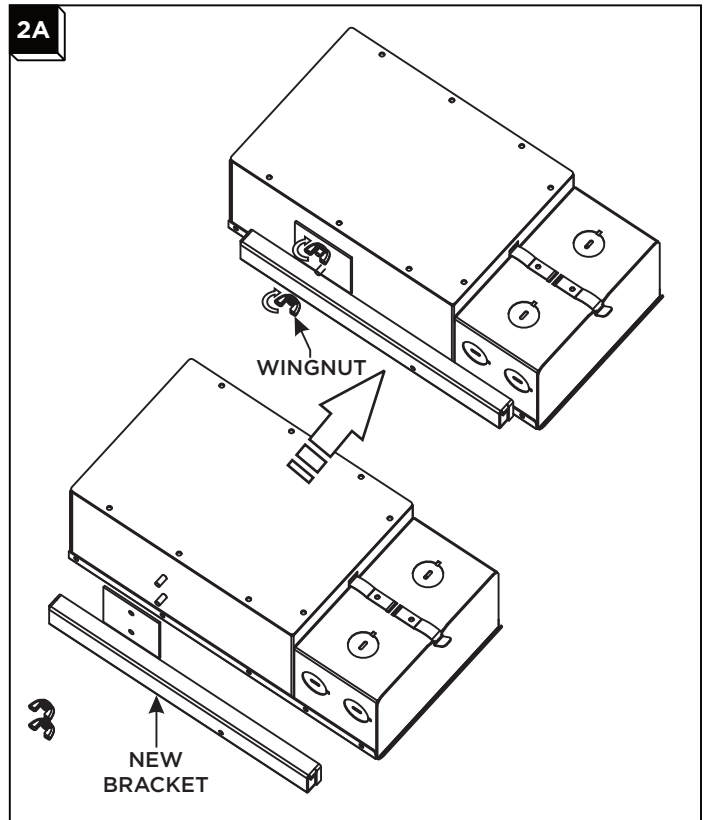
SAVE THESE INSTRUCTIONS!

Remove the Butterfly Brackets



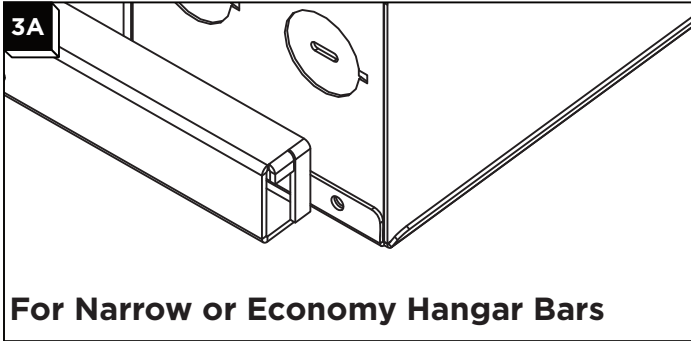
- 1 ➤ Unscrew and remove the wingnut.
- 2 ➤ Remove the butterfly bracket.
- 3 ➤ Repeat on opposite side.

Install the New Brackets

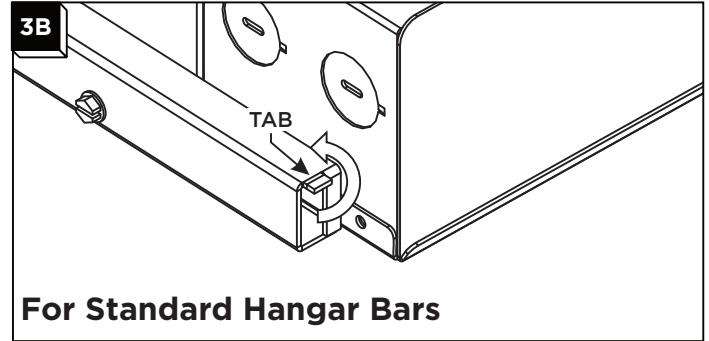


- 1 ➤ Align the new bracket to the side of the housing.
- 2 ➤ Place the new bracket onto the bolts and secure with the wing nuts.
- 3 ➤ Repeat for both sides.

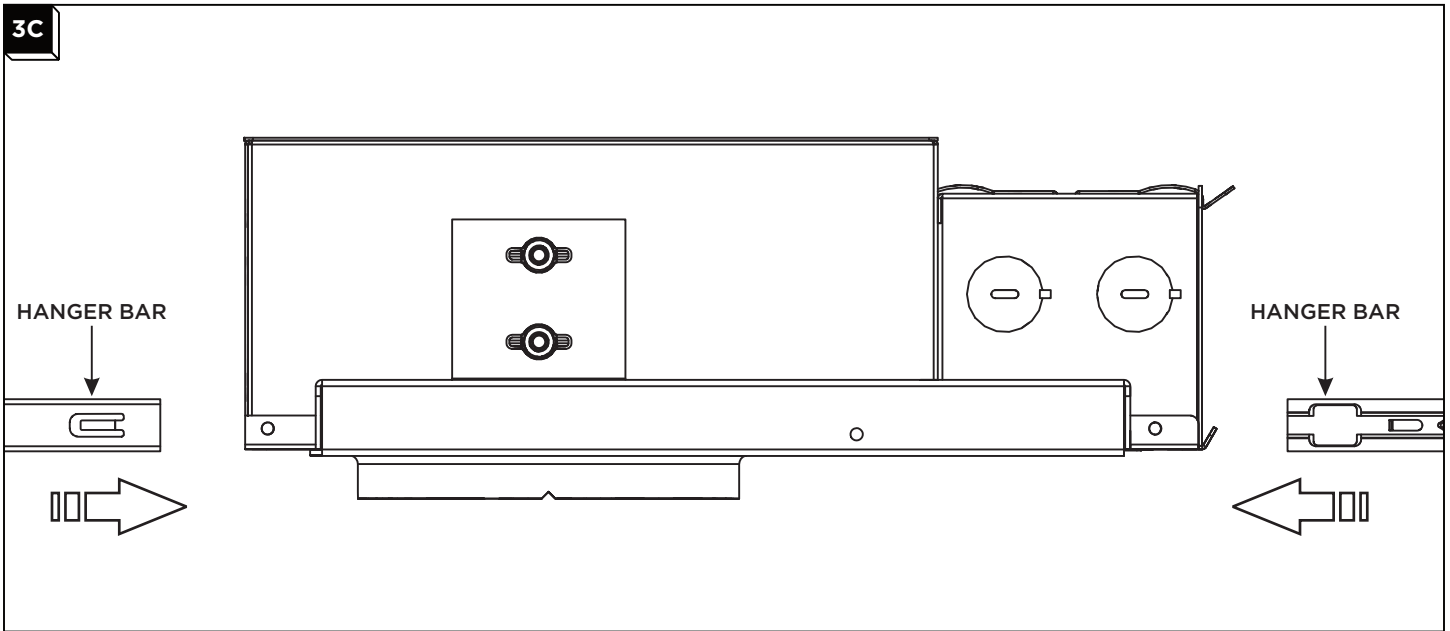
Install the Hanger Bars



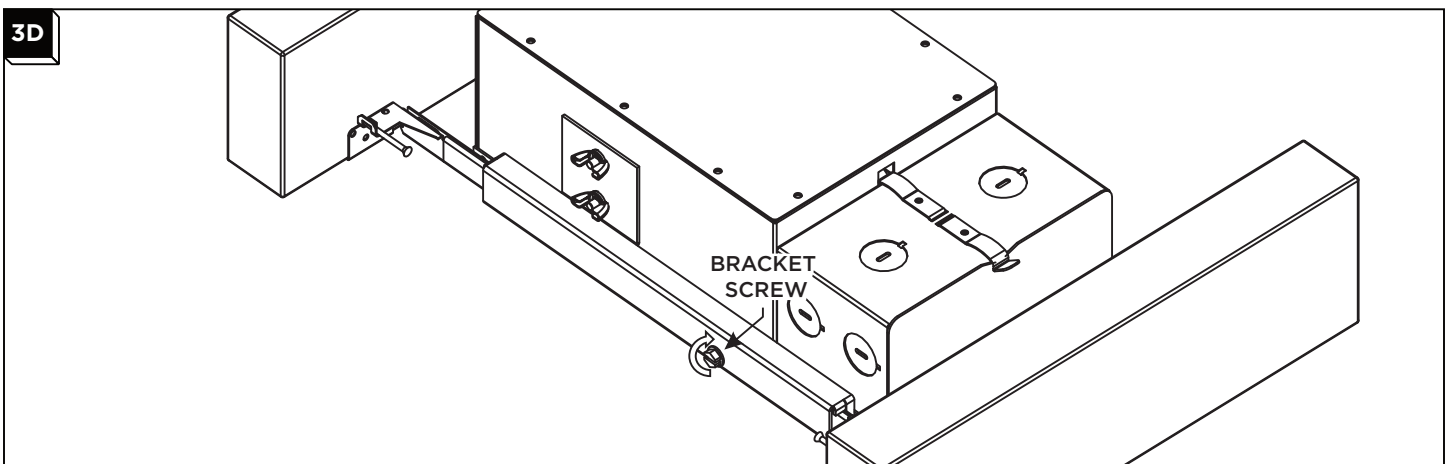
1 If using narrow or economy leave the bracket tab intact.



2 If using standard hanger bars bend up and break the bracket tab off with needle nose pliers.



3 Slide the hanger bars into the bracket.



4 Install hanger bars to the ceiling joist.

5 Lock hanger bars in place with the bracket screw.

TECH LIGHTING

7400 Linder Ave., Skokie, IL 60077
T 847.410.4400 | F 847.410.4500
www.techlighting.com