

Round or Square 4" Chicago Plenum Hi- Lume Wall Wash Housing with LED Lamp

E4_W-L_C-HL_ 1.0

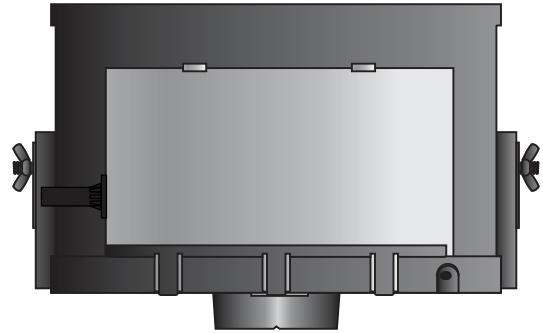


GENERAL PRODUCT INFORMATION:

This product is suitable for indoor locations.

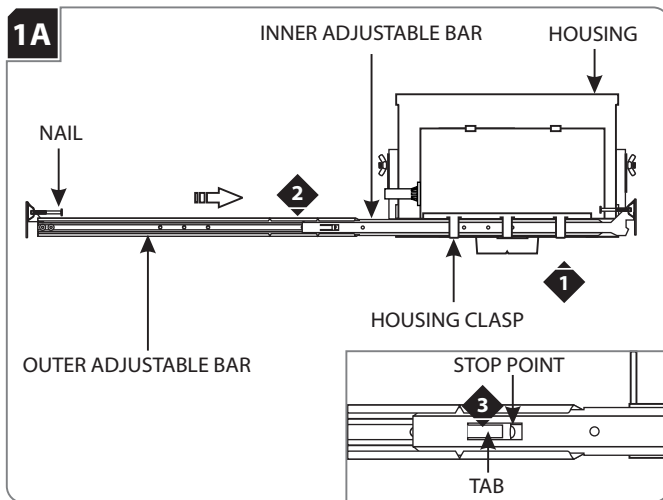
This product can be dimmed with a standard electronic dimmer.

This instruction shows a typical installation.

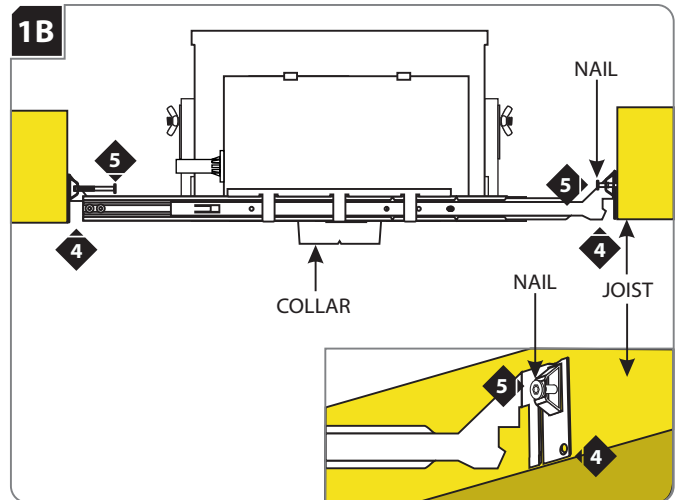


CAUTION - RISK OF FIRE
 This product must be installed in accordance with the applicable installation code by a person familiar with the construction and operation of the product and the hazards involved.
 Use minimum 90°C supply conductors.

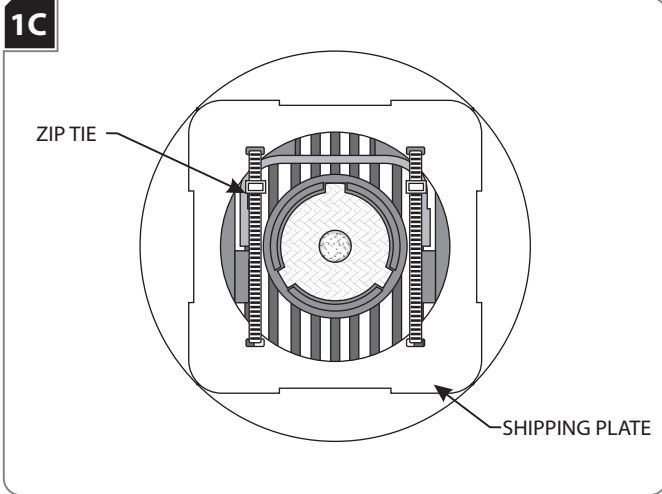
Install the Housing with Adjustable Bars



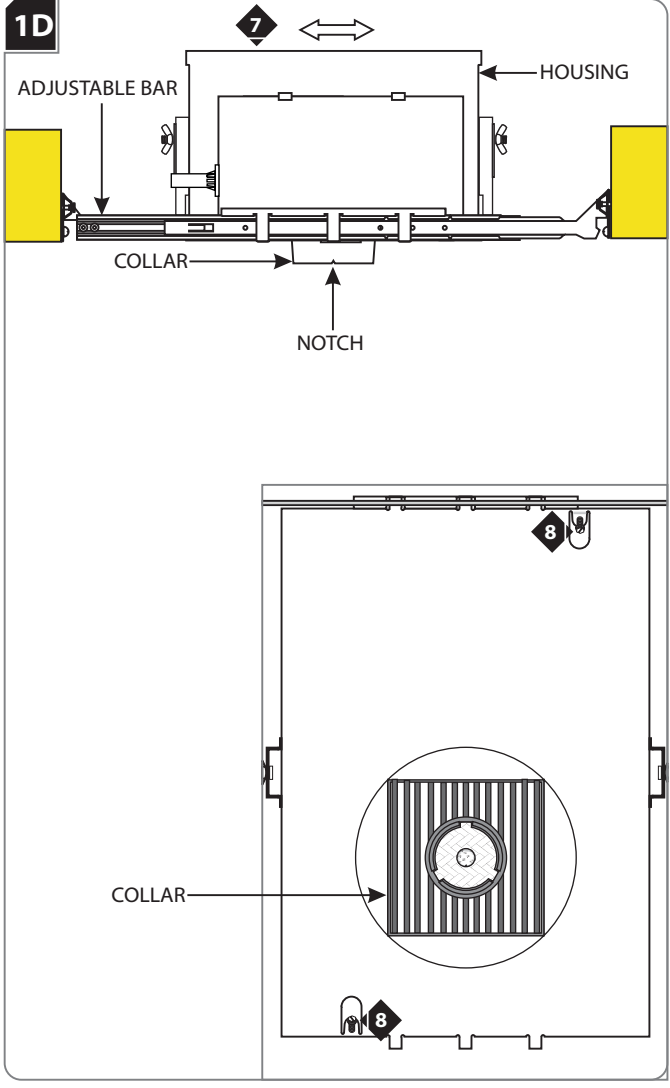
- 1 Slide the inner adjustable bar completely through the three housing clasps. Make sure the nail is on top.
- 2 Slide and push the outer adjustable bar completely onto the inner adjustable bar so that the tab clicks into place behind the stop point. This will prevent the adjustable bars from coming apart.
- 3 Repeat steps 2 & 3 for the other side of the housing.



- NOTE:** The adjustable bars can be mounted to joists that are spaced 16" - 24" apart.
- 4 Align the bottom of the end plates with the bottom of the ceiling joists.
 - 5 Level the adjustable bars and, with a hammer, tap the nails completely into the joists to secure the adjustable bars in place.



6 Carefully cut and remove the zip ties to remove the shipping plate.

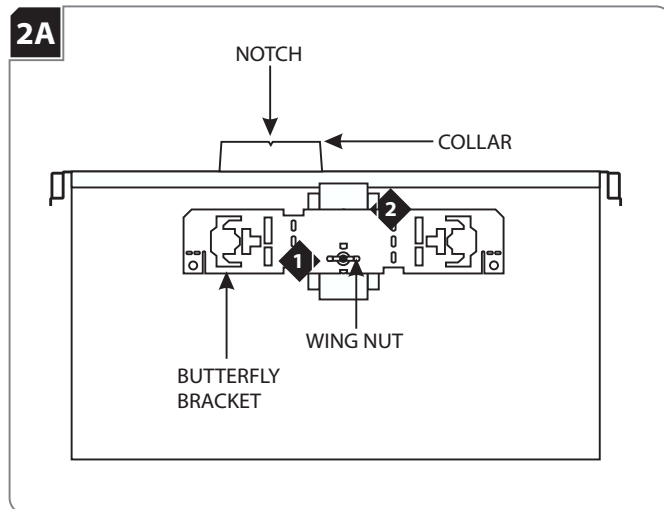


7 Adjust the collar position (horizontal position) by sliding the housing on adjustable bars.

8 When the desired location is achieved, tighten the two #6 self tapping screws to lock the housing onto the adjustable bars.

NOTE: See step 3 to align multiple housings using the notches.

Install the Housing with Butterfly Brackets

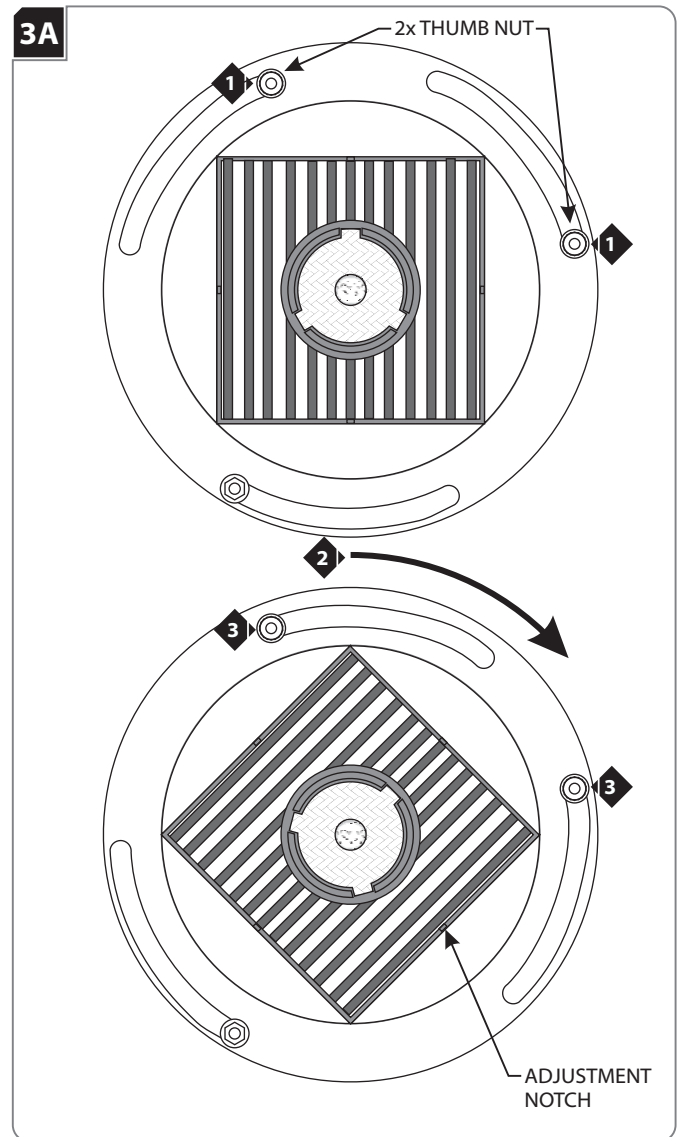


NOTE: Skip this section if installing the housing with adjustable bars.

- 1 Slightly loosen the wing nut to slide the butterfly bracket up or down.
- 2 After achieving the proper location, tighten the wing nut to secure the butterfly bracket in place.
- 3 Repeat steps 1 and 2 on for the other butterfly bracket.
- 4 Utilize the butterfly brackets to install the housing in accordance with local electrical codes.

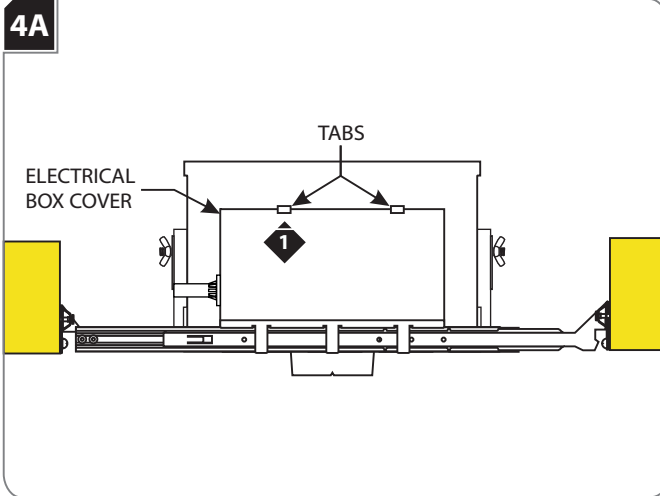
NOTE: See step 3 to align multiple housings using the notches.

Align Multiple Housings (Optional)

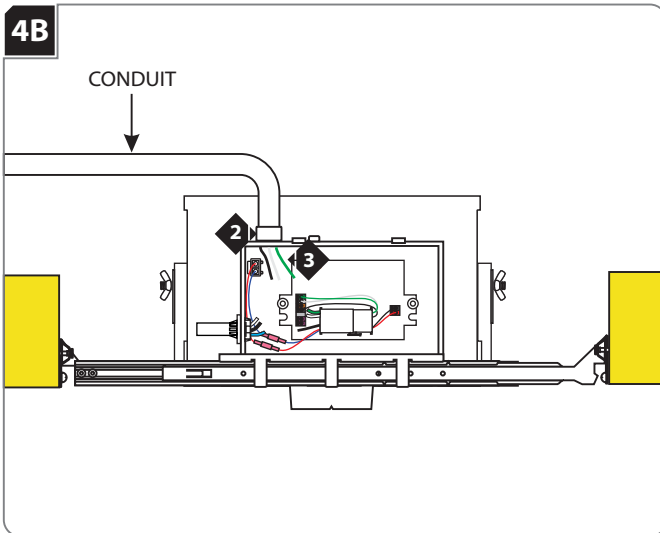


- 1 The alignment of the collars may be adjusted by reaching into the housing and loosening the two thumb screws.
Note: Adjustment of the lamp and heat sink may be necessary to access the thumb nuts. **See Section 6**
- 2 Rotate the collar (up to 45°) and align with other fixtures using the notches in the collar with a laser or string.
- 3 Re-tighten the two thumb screws.

Connect Power to the Housing

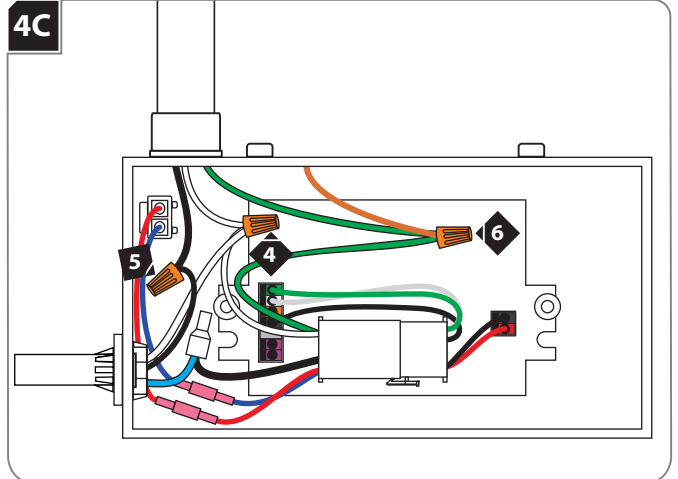


- 1 Push up on the tabs on the electrical box and remove the electrical box cover.

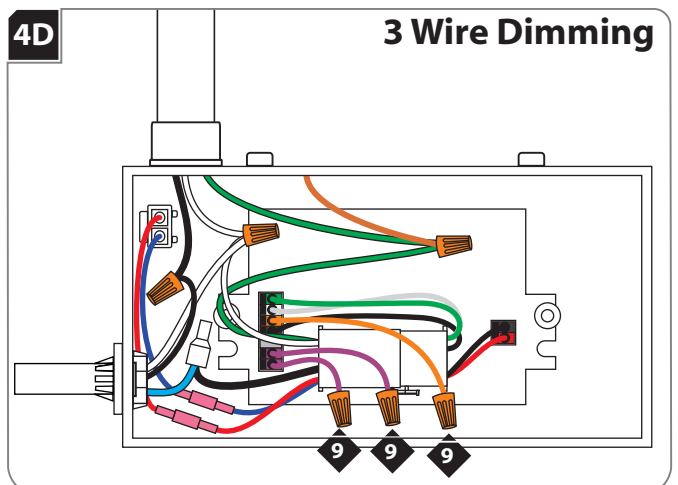


- 2 Install the conduit to the housing electrical box.
3 Run the power line wires into the housing electrical box.

WARNING: RISK OF FIRE: When using the housing electrical box for power feed through, use **MAX** 4 - #12 AWG, or 6 - #14 AWG branch circuit wires.

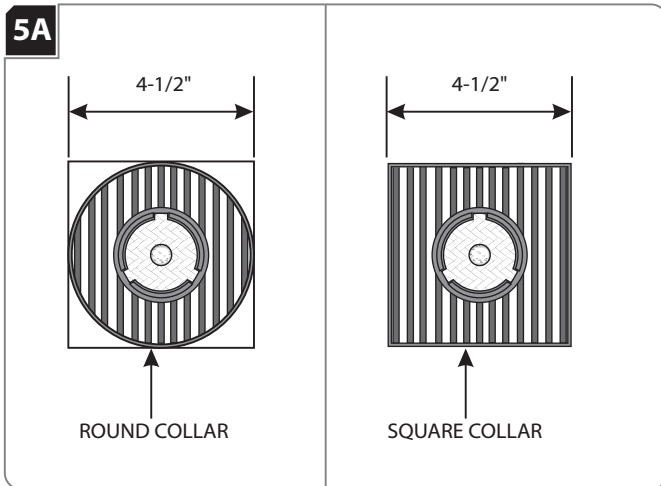


- 4 Connect the neutral power line wire to the white transformer wire with a wire nut.
5 Connect the hot power line wire to the black thermal protector wire with a wire nut.
6 Make sure that housing is grounded in accordance with local electrical codes.
7 Replace the electrical box cover. Make sure that the top edge of the cover snaps under both tabs.
8 For 3 wire dimming applications see diagram below.

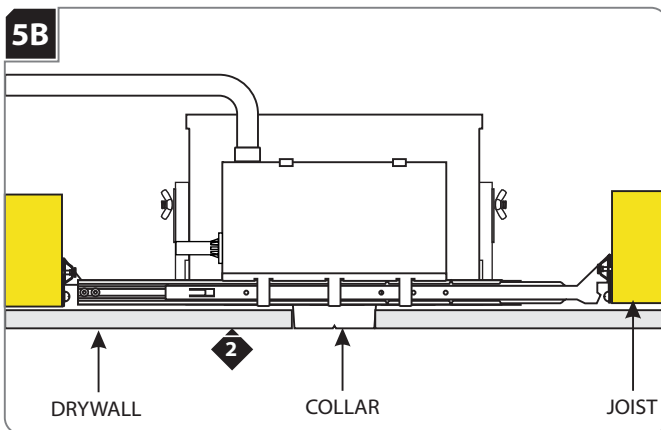


- 9 For 3 wire driver applications, properly connect the orange (dimmed hot) and the two purple wires (dimming/digital bus).

Install Drywall



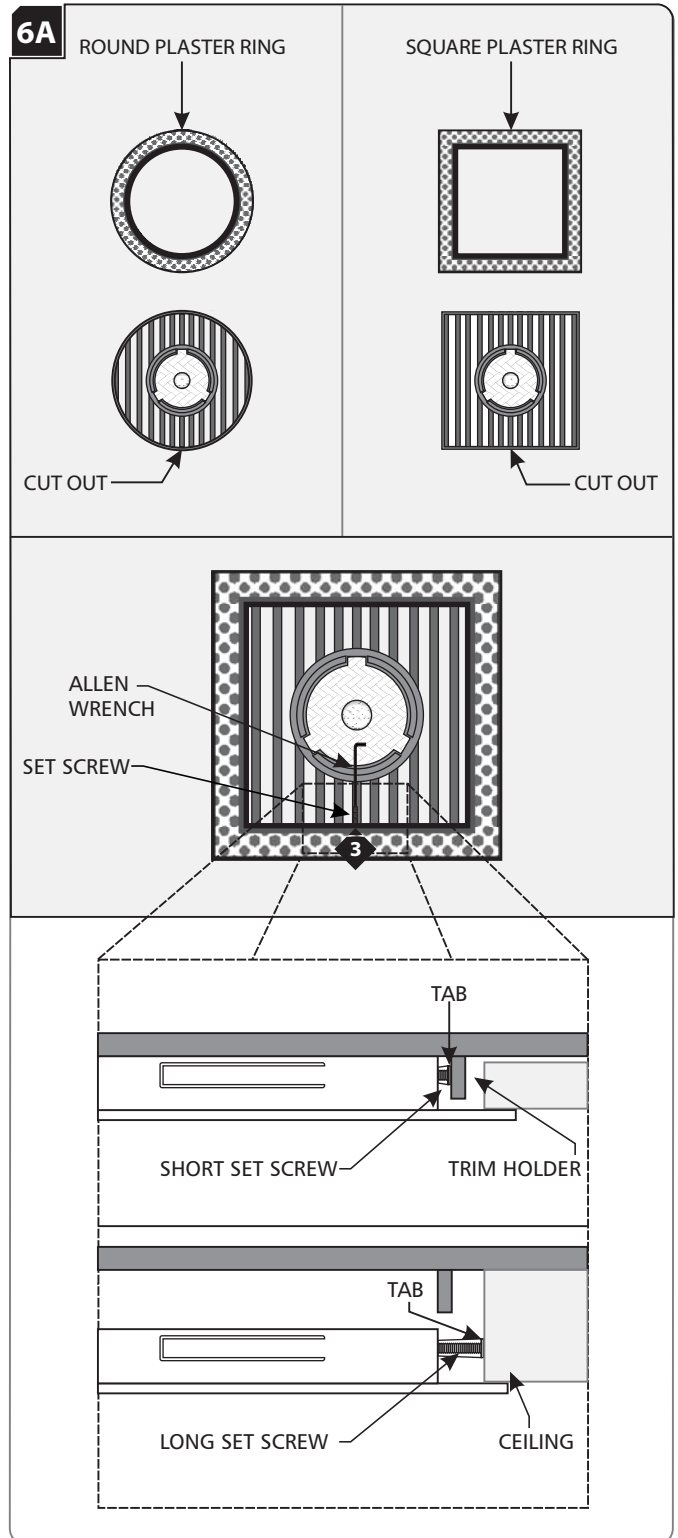
- 1** For round trims, mark a 4-1/2" diameter circle on drywall. Cut out the marked section.
For square trims, mark a 4-1/2" square on drywall. Cut out the marked section.



- 2** Align the cut out section of drywall with the trim holder and install drywall.

WARNING: Risk of Fire: The housing is not intended to be in contact with or covered with combustible materials and insulation. Do not install insulation within 3 inches of the housing sides or above in such a manner to entrap heat.

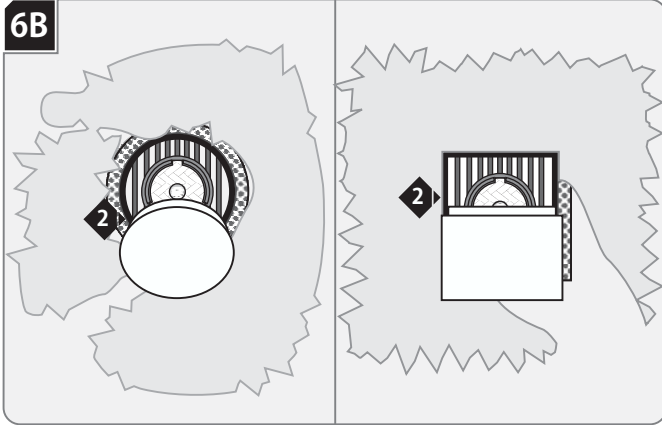
Install Plaster Ring (For Flangeless Versions)



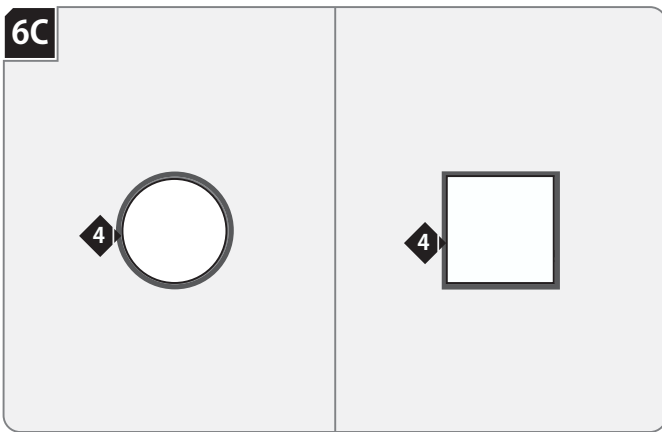
- 1** Insert the plaster ring completely into the collar/ceiling and secure them in place with the provided set screws and Allen wrench.

NOTE: Longer set screws have been provided for instances where the plaster ring does not reach the collar and must be secured to the inside of the ceiling cutout. Use the short set screws if the trim is installed in the collar.

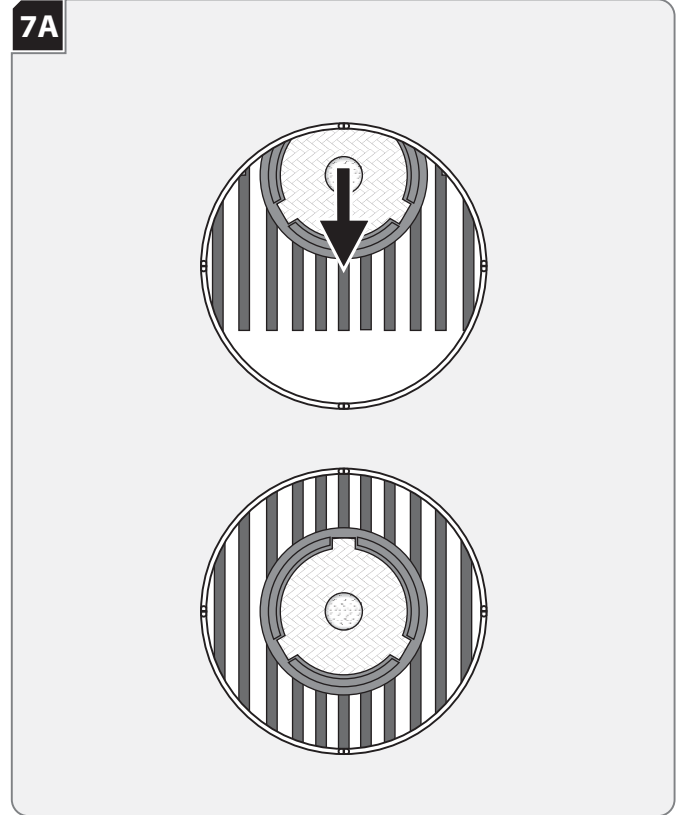
Adjust the Lamp Position for Citizen LED



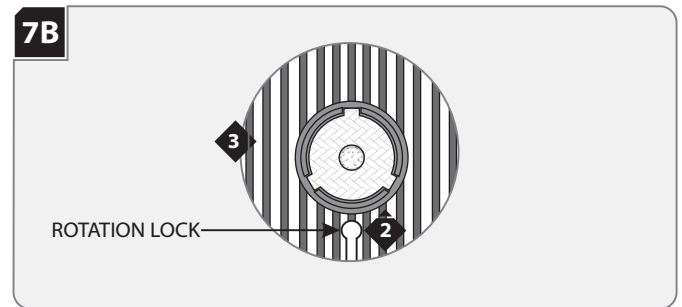
- 2 Plug the collar with the provided dust shield.
- 3 Properly plaster onto the plaster ring and drywall.



- 4 Finish around the collar to match drywall.



- 1 Ensure that the lens assembly is centered to the aperture by pulling the assembly to the center of the housing. When centered the locking pin will be engaged.

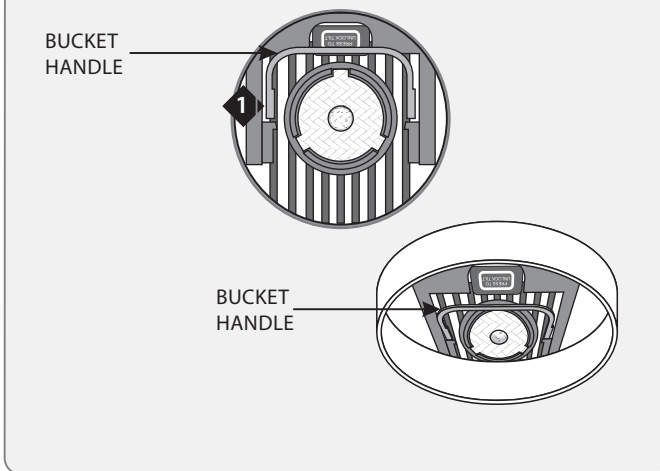


NOTE: Lamp housing can rotate 361° horizontally.

- 2 Pull the rotation lock down to unlock the lamp housing.
- 3 Rotate the lamp housing horizontally. When the desired position is achieved push the rotation lock up to lock the lamp housing in place.

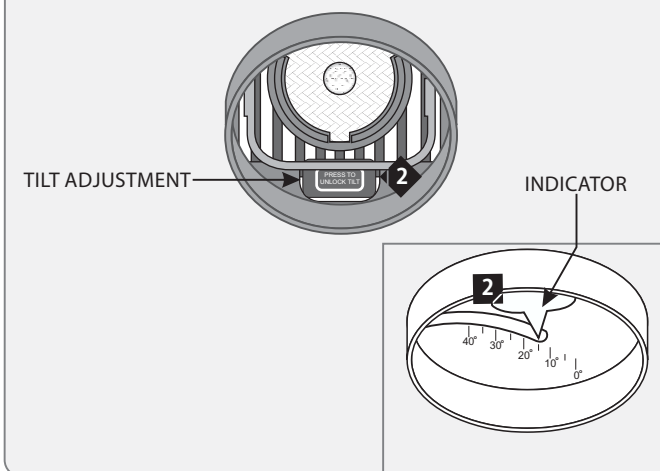
Adjust the Lamp Position for Xicato and Lumenetix LEDs

8A



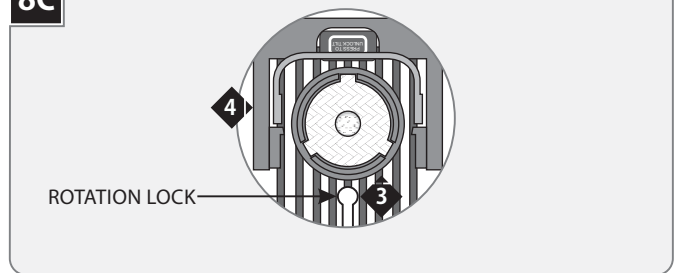
- 1 Push up the LED and heat sink to ensure that they are in the highest position.

8B



- 2 For proper wall wash positioning, unlock the tilt adjustment lever by pressing where indicated using a finger or screwdriver to tilt until 15° angle is reached.

8C



NOTE: Lamp housing can rotate 361° horizontally.

- 3 Pull the rotation lock down to unlock the lamp housing.
- 4 Rotate the lamp housing horizontally. When the desired position is achieved push the rotation lock up to lock the lamp housing in place.

SAVE THESE INSTRUCTIONS!

ELEMENT 
by Tech Lighting®
7400 Linder Ave, Skokie, IL 60077
847.410.4400
www.element-lighting.com

© 2015 Tech Lighting, L.L.C. All rights reserved. The "Element" graphic is a registered trademark of Element. Element reserves the right to change specifications for product improvements without notification.
A Generation Brands Company