

# Round or Square Element 4" Adjustable Housing for Flangeless in Wood Ceiling

E4\_-L\_A\_ 1.1



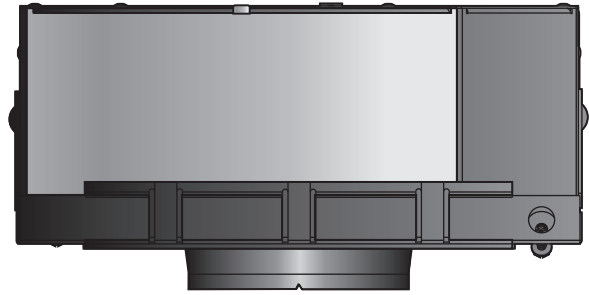
## GENERAL PRODUCT INFORMATION:



This product is suitable for indoor locations.

This product can be dimmed with a standard electronic dimmer.

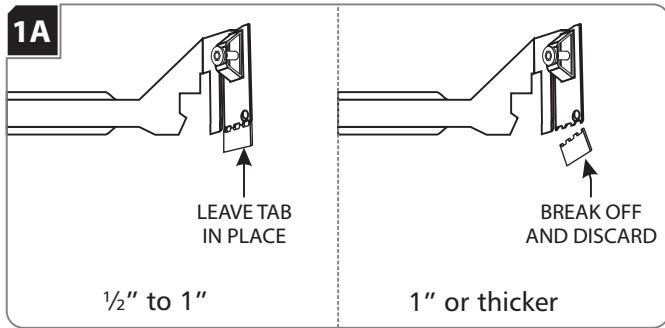
This instruction shows a typical installation.



**CAUTION - RISK OF FIRE**  
 This product must be installed in accordance with the applicable installation code by a person familiar with the construction and operation of the product and the hazards involved.  
 Use minimum 90°C supply conductors.

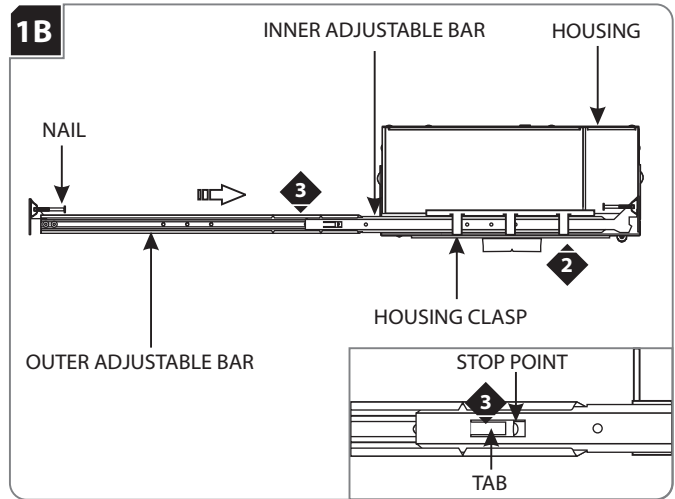
**SAVE THESE INSTRUCTIONS!**

## Install the Housing with Adjustable Bars

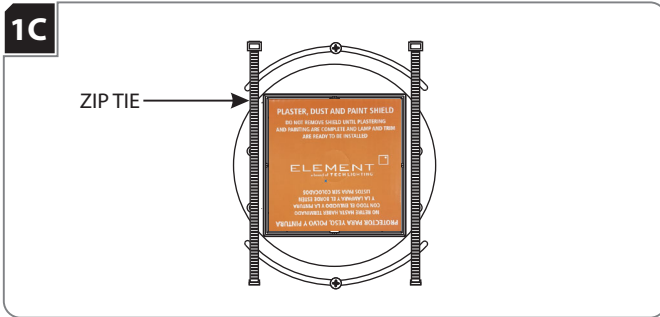


**NOTE:** Skip this section if installing the housing with butterfly brackets.

- 1 **Keep Tab for ceiling 1/2" to 1" thick.**  
 When using adjustable hanger bars with 1/2" to 1" thick ceilings, leave the tab of the hanger bars in place.  
**Break off Tab for ceiling 1" or thicker.**  
 When using adjustable hanger bars with 1" or thicker ceilings, remove the tab by bending it at the perforation.



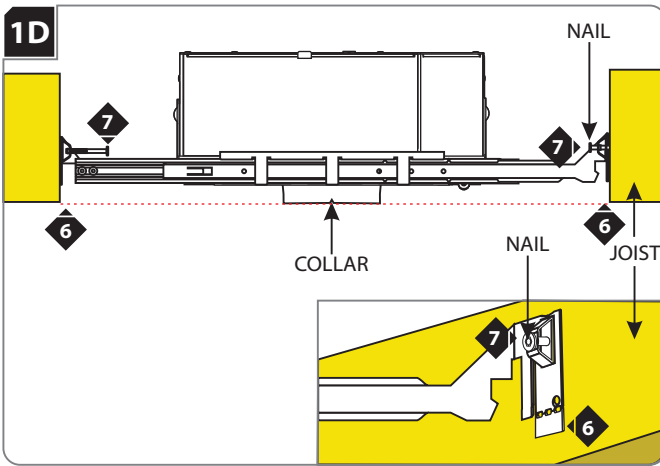
- 2 Slide the inner adjustable bar completely through the three housing clasps. Make sure the nail is on top.
- 3 Slide and push the outer adjustable bar completely onto the inner adjustable bar so that the tab clicks into place behind the stop point. This will prevent the adjustable bars from coming apart.
- 4 Repeat steps 2 & 3 for the other side of the housing.



- 5 Carefully cut and remove the zip ties.

### 1/2" - 1" Ceiling Thickness

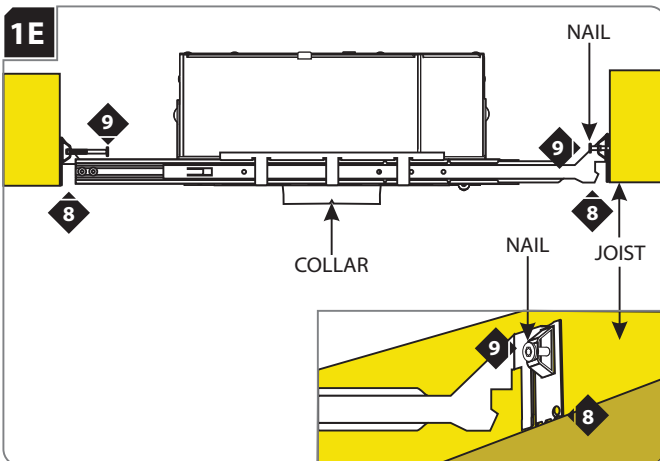
**NOTE:** The adjustable bars can be mounted to joists that are spaced 16" - 24" apart.



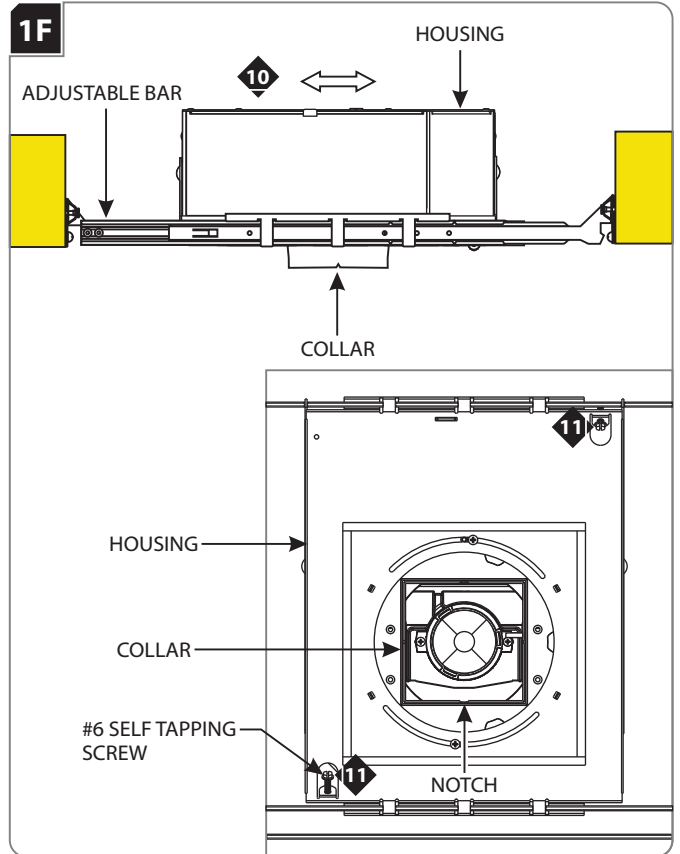
- 6 Align the bottom of the collar with the bottom of the ceiling joists.
- 7 Level the adjustable bars and, with a hammer, tap the nails completely into the joists to secure the adjustable bars.

### 1" or More Ceiling Thickness

**NOTE:** The adjustable bars can be mounted to joists that are spaced 16" - 24" apart.



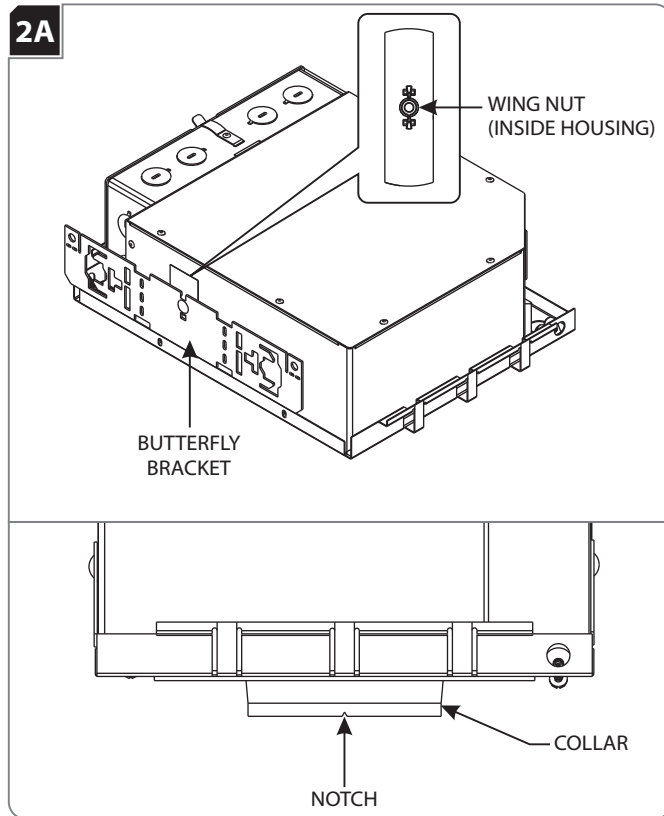
- 8 Align the bottom of the end plates with the bottom of the ceiling joists.
- 9 Level the adjustable bars and, with a hammer, tap the nails completely into the joists to secure the adjustable bars.



- 10 Adjust the collar position (horizontal position) by sliding the housing on adjustable bars.
- 11 When the desired location is achieved, tighten the two #6 self tapping screws to lock the housing onto the adjustable bars.

**NOTE:** Notches in the collar can be used to align multiple housings using a laser or string.

## Install the Housing with Butterfly Brackets

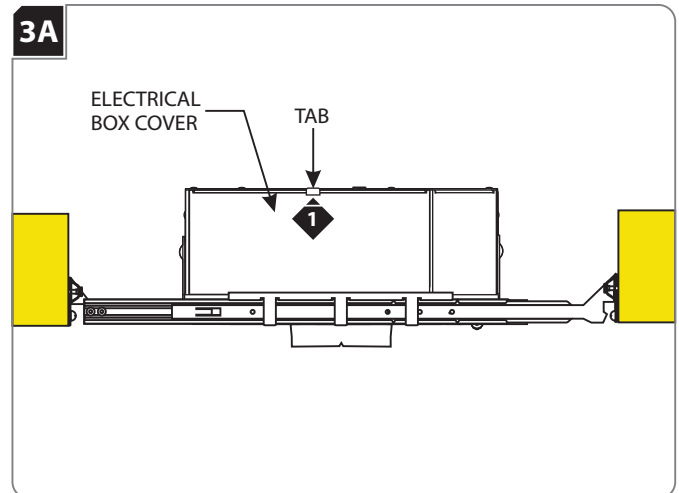


**NOTE:** Skip this section if installing the housing with adjustable bars.

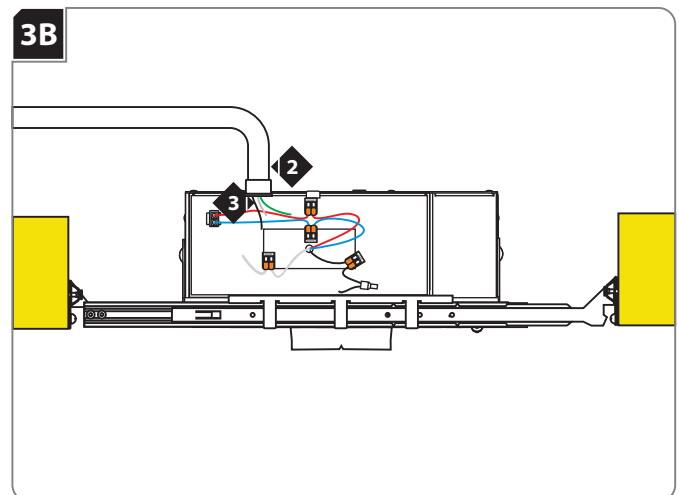
- 1 Slightly loosen the wing nut located inside the housing to slide the butterfly bracket up or down.
- 2 After achieving the proper location, tighten the wing nut to secure the butterfly bracket in place.
- 3 Repeat steps 1 and 2 on for the other butterfly bracket.
- 4 Utilize the butterfly brackets to install the housing in accordance with local electrical codes.

**NOTE:** Notches in the collar can be used to align multiple housings using a laser or string.

## Connect Power to the Housing



- 1 Push the tab on the housing electrical box up and remove the electrical box cover.



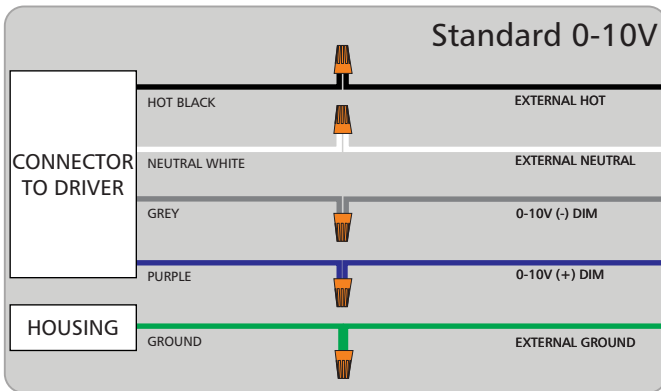
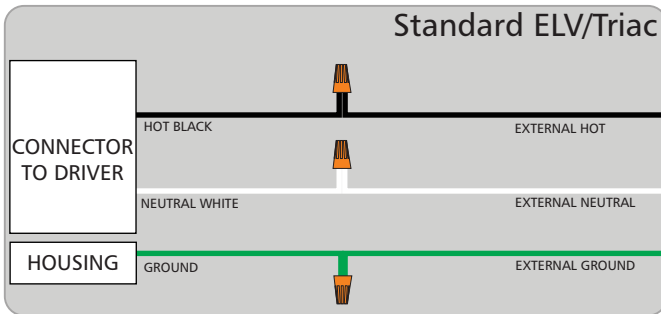
- 2 Install the conduit to the housing electrical box.
- 3 Run the power line wires into the housing electrical box.
- 4 Use the appropriate wiring diagram on the following page to wire your fixture accordingly.

**NOTE:** When a fixture is installed in a location that requires servicing from below the ceiling through the fixture aperture, the branch circuit connections need to be able to be brought out through the aperture. To accomplish this, an NM type cable in conjunction with snap-in/push-in connectors must be used and a 12" service loop must be left available outside of the fixture housing wiring compartment to allow additional branch circuit wiring to be pulled through the snap-in/push-in connector and extended out through the aperture below ceiling level.

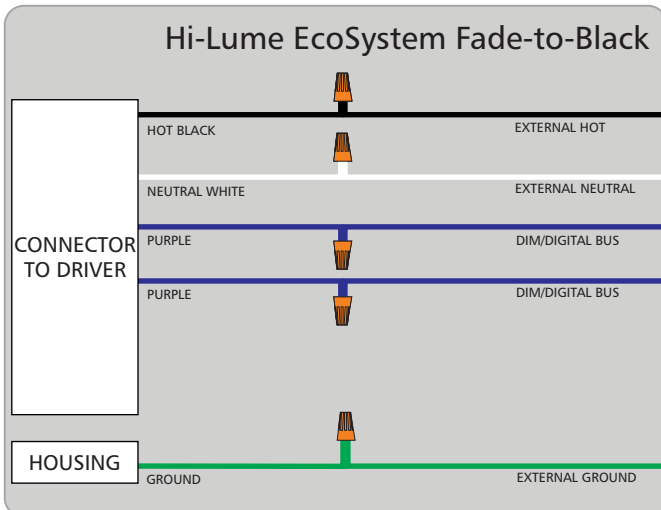
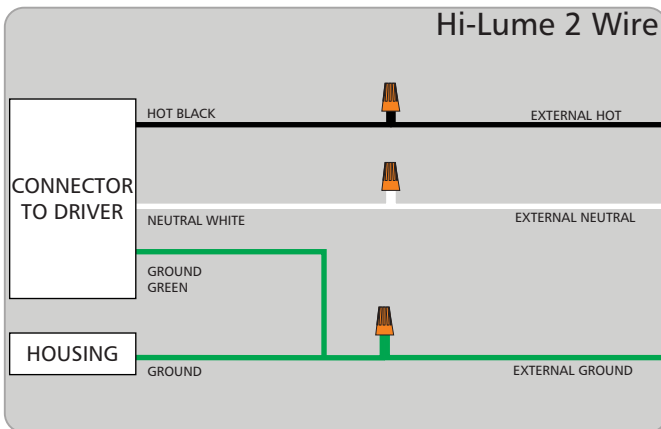
**WARNING: RISK OF FIRE:** When using the housing electrical box for power feed through, use **MAX** 4 - #12 AWG, or 6 - #14 AWG branch circuit wires.

# IC Labeled Fixture Wiring

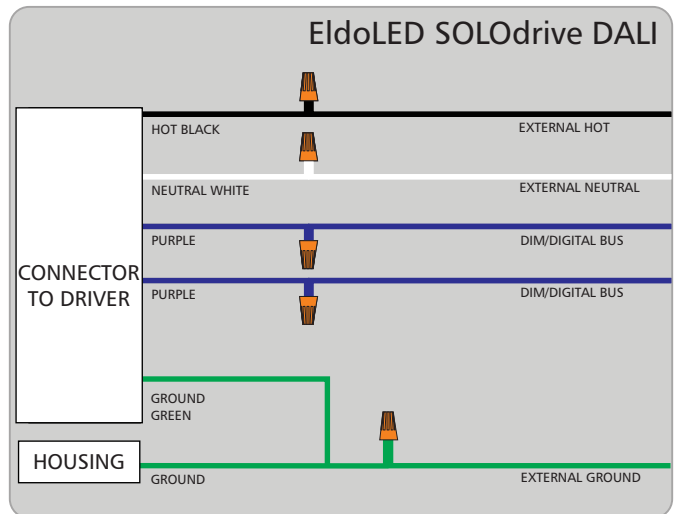
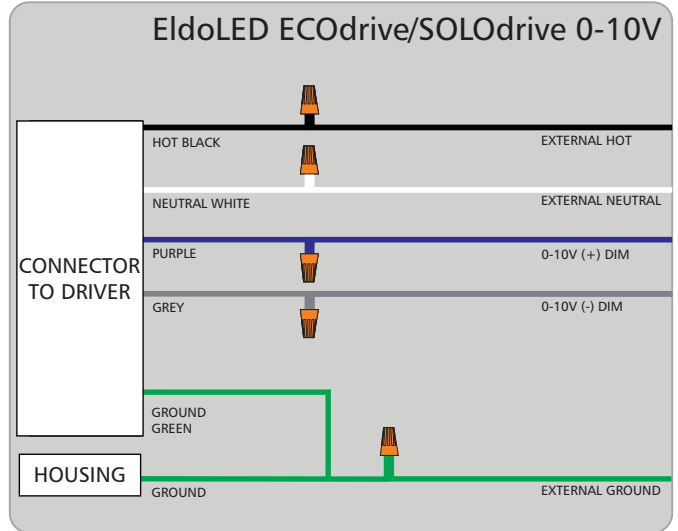
## Standard Driver Wiring



## Hi-Lume Driver Wiring

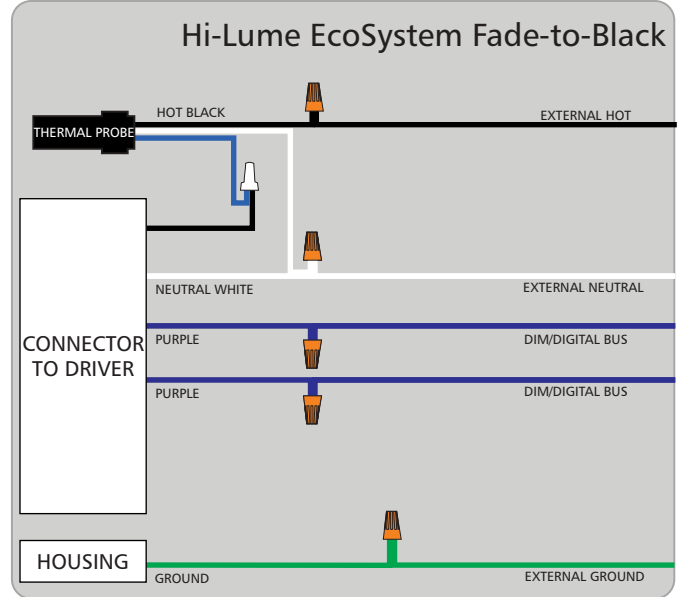
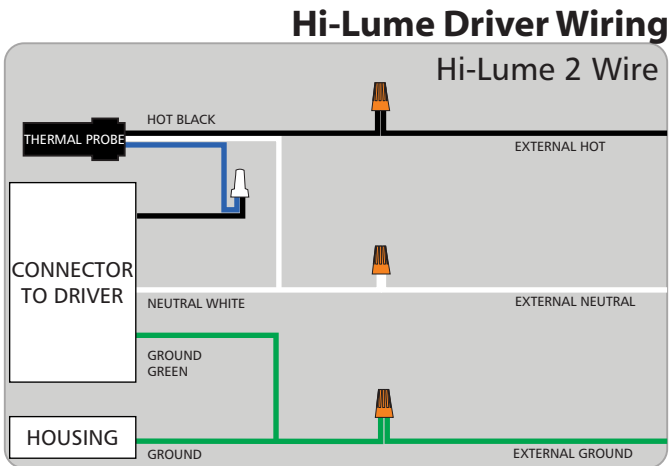
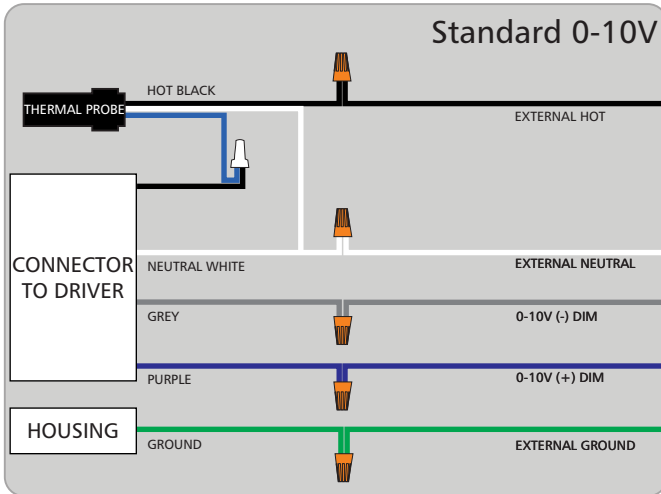
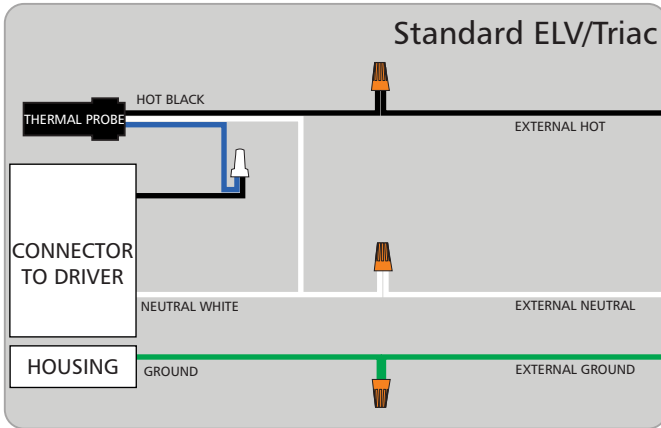


## EldoLED Driver Wiring

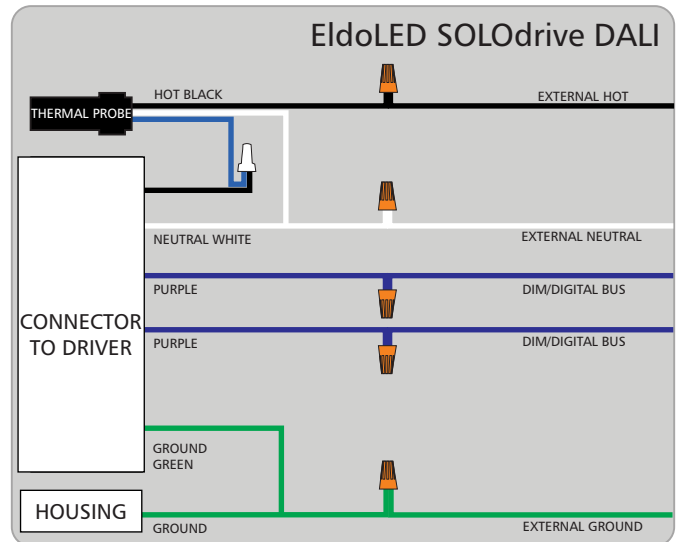
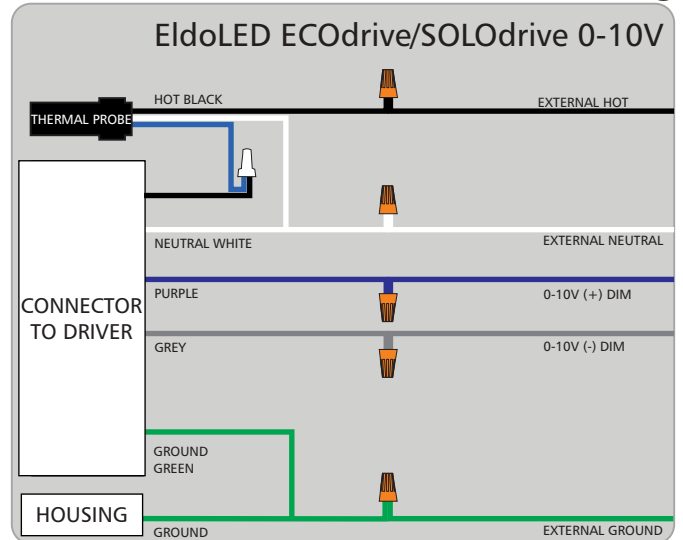


# NON-IC Labeled Fixture Wiring

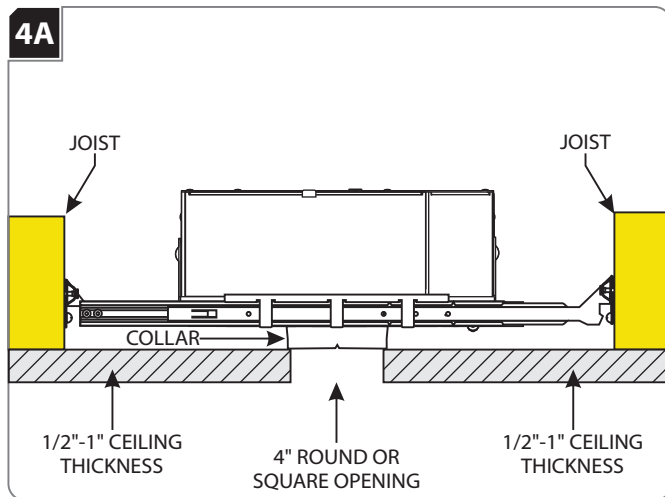
## Standard Driver Wiring



## EldoLED Driver Wiring

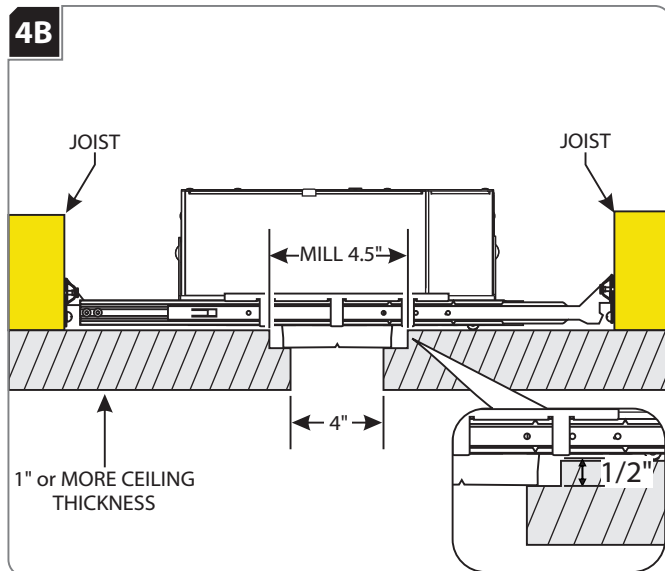


## 1/2" - 1" Ceiling Thickness



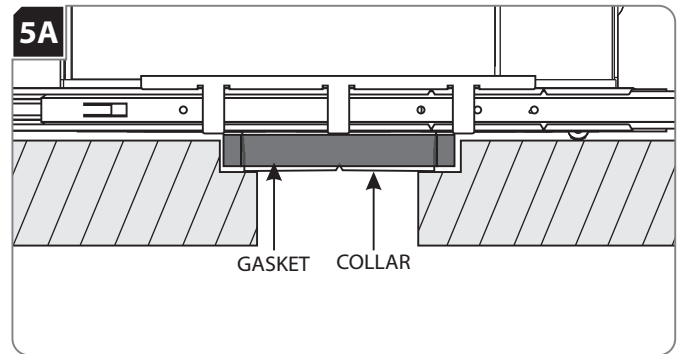
- 1 Use a 4" hole saw or mill a 4" square opening in the wood.

## 1" or More Ceiling Thickness



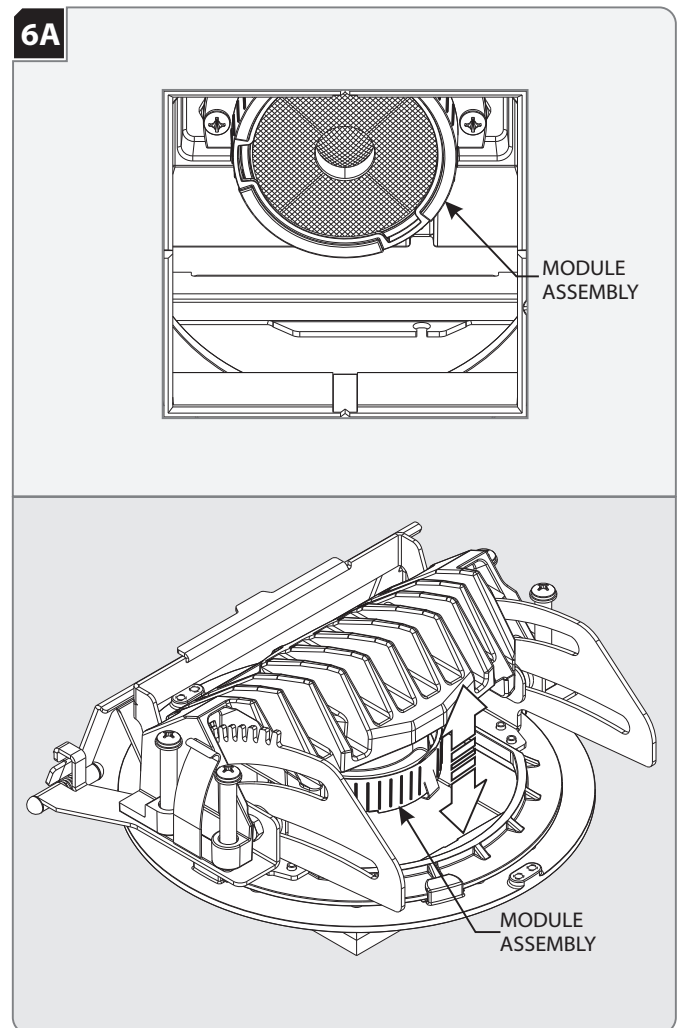
- 2 Use a 4" hole saw or mill a 4" square opening in the wood.
- 3 Mill a space 1/2" deep for the collar in the top surface of the wood. The collar opening should be at least 4.5" square or round.

## Install Gasket



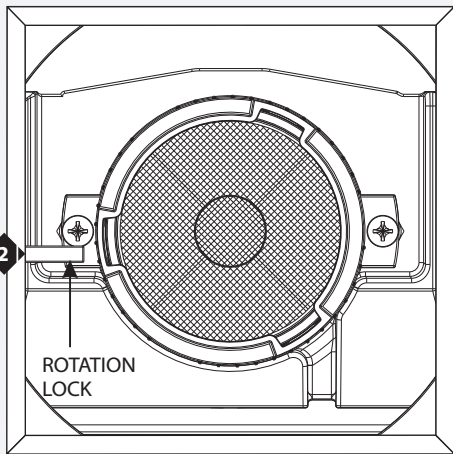
- 1 Install the gasket 1/2" above the ceiling surface. Square trims will have four separate pieces and round trims will have one long piece.
- 2 Apply the gasket to the housing collar or inside edge of the hole in the wood or both depending on the ceiling thickness. If necessary, trim the gasket(s) for proper fitting.

## Adjust the Lamp Housing



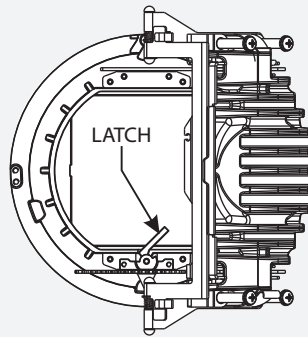
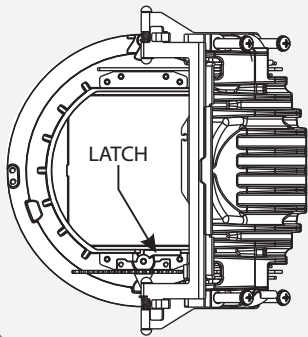
- 1 To adjust the height, grip the module assembly and push up to minimize glare and flash on the trim. Pull down on the module assembly for maximum light output and efficiency.

6B



LATCH CLOSED

LATCH OPEN

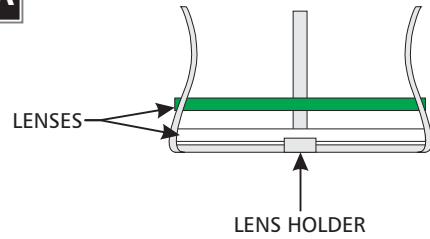


**NOTE:** Lamp housing can rotate 361° horizontally.

- 2 Pull the rotation lock out to unlock the lamp housing.
- 3 Rotate the lamp housing horizontally. When the desired position is achieved push the rotation back to lock the lamp housing in place.

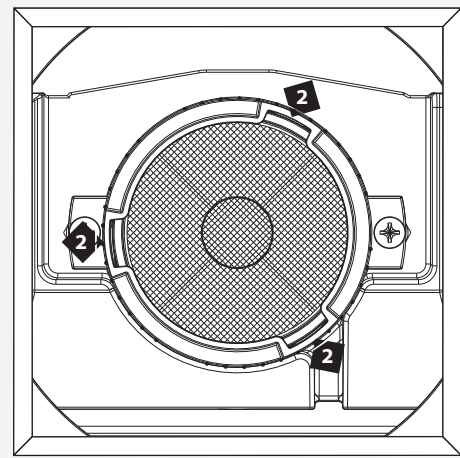
## Install the Lenses (Optional)

7A



- 1 Place lenses (max. 2, optional) inside the lens holder spring.

7B



- 2 Line up tabs of the lens holder spring with the notches on the optic holder and push the lens holder spring on.



7400 Linder Ave., Skokie, IL 60077

T 847.410.4400 | F 847.410.4500

[www.techlighting.com](http://www.techlighting.com)