

E3 Flanged Wall Wash Trims

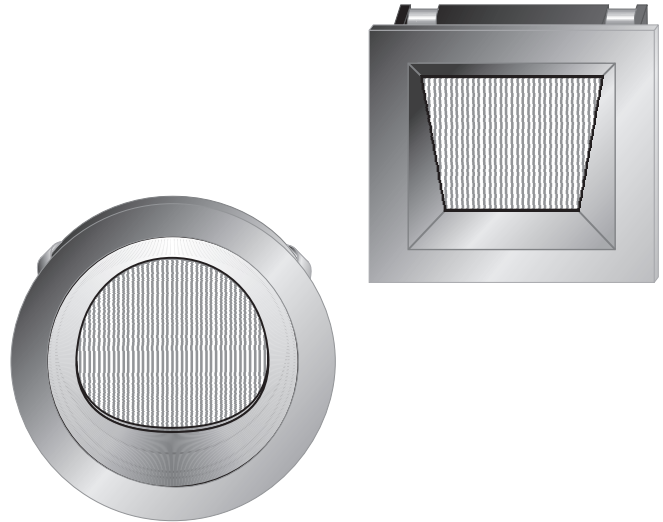
1.0



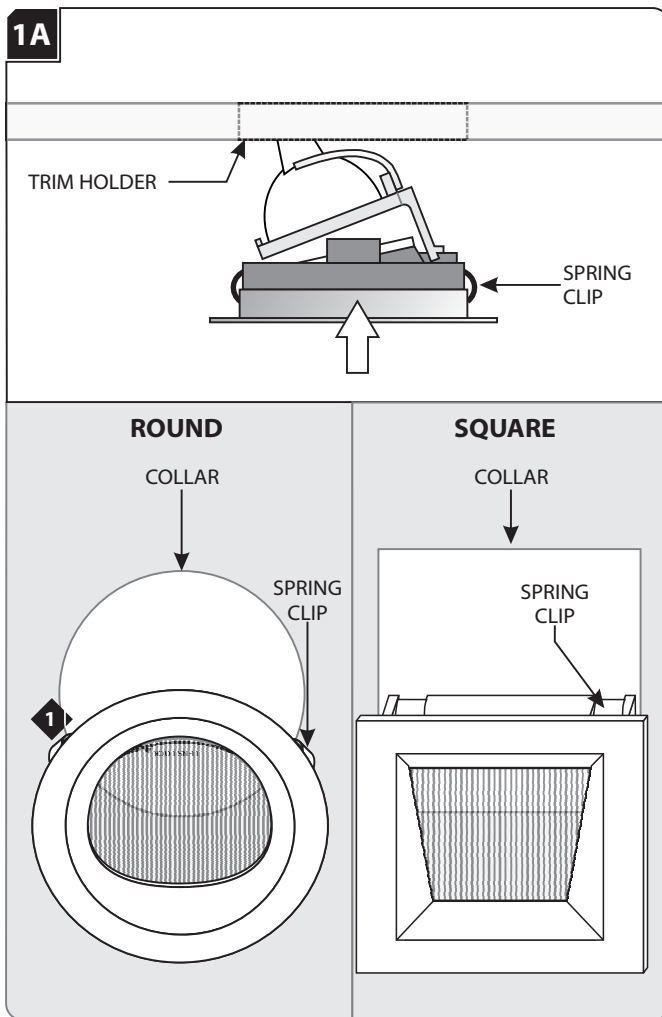
GENERAL PRODUCT INFORMATION:

This product is suitable for indoor locations.

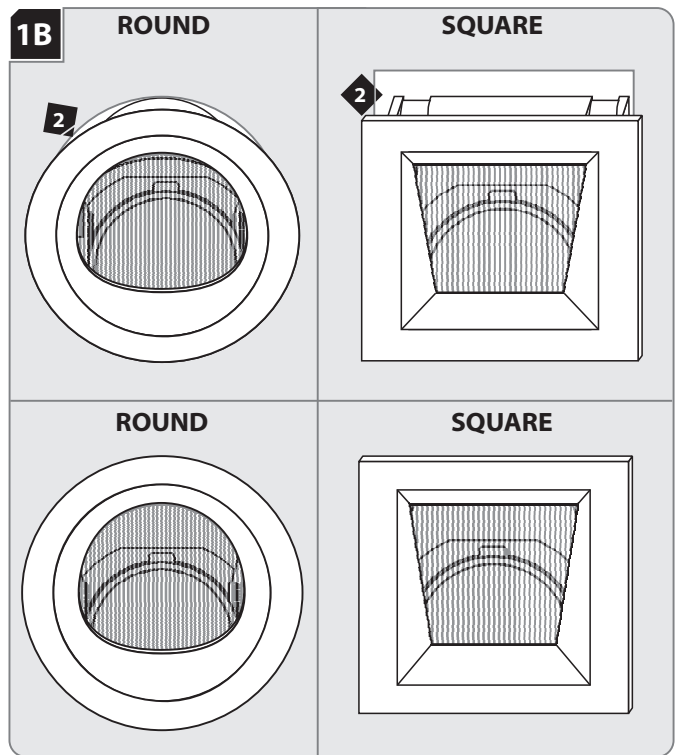
This instruction shows a typical installation.



Install the Trim



1 Align the trim spring clips with the inner edge of the housing collar. Make sure the lamp and trim are pointed in the same direction. There are printed markings on the trim that indicate "TO LIGHTED WALL."



2 Push the trim into the collar so that the spring clips snap into the collar.

SAVE THESE INSTRUCTIONS!

ELEMENT
a brand of **TECH LIGHTING**

7400 Linder Ave.
Skokie, IL 60077
847.410.4400

www.element-lighting.com

© 2019 Tech Lighting, L.L.C. All rights reserved. The "Element" graphic is a registered trademark of Element. Element reserves the right to change specifications for product improvements without notification.