

# Square Flangeless Wall Wash Trim

E3SLW- 1.1



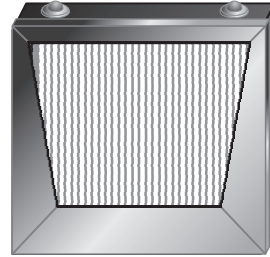
ELEMENT

## GENERAL PRODUCT INFORMATION:

This product is suitable for indoor locations.

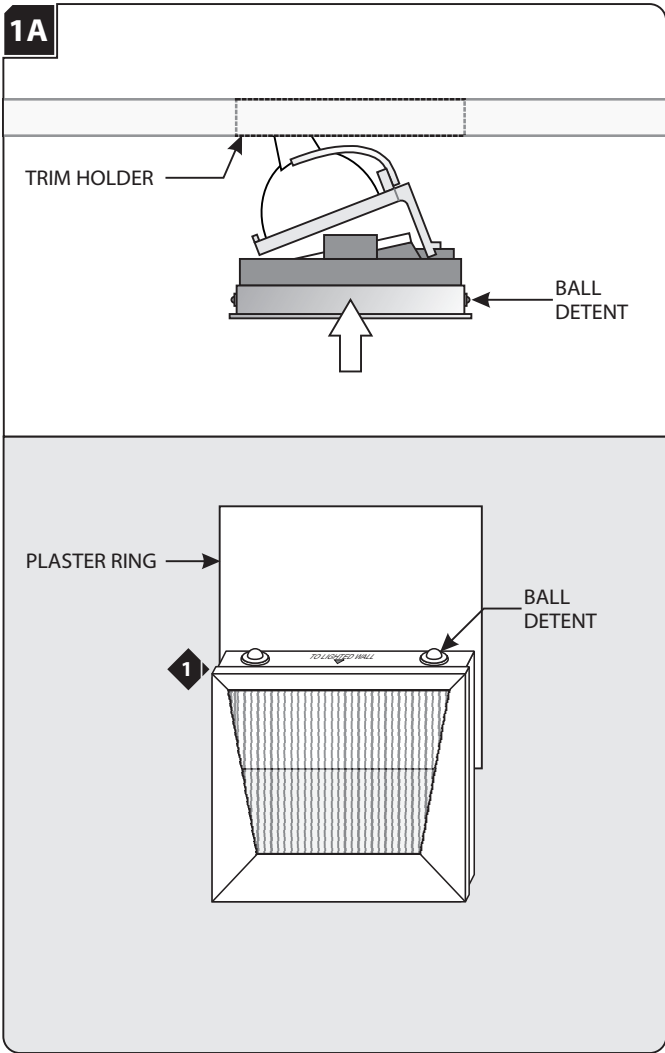


This instruction shows a typical installation.

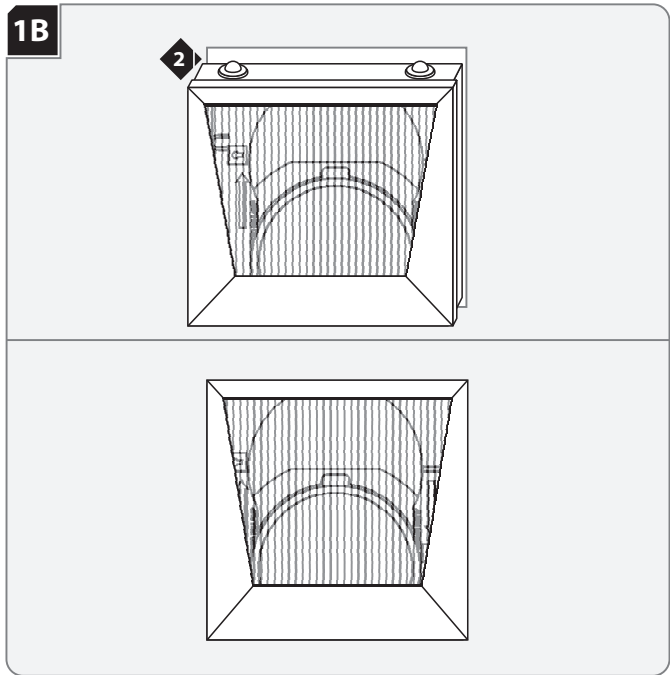


**SAVE THESE INSTRUCTIONS!**

## Install the Trim



**1** Align the trim ball detents with the inner edge of the plaster ring. Make sure the lamp and trim are pointed in the same direction. There are printed markings on the trim that indicate "TO LIGHTED WALL."



**2** Push the trim into the plaster ring so that the four ball detents snap into the plaster ring walls.



7400 Linder Ave., Skokie, IL 60077  
 T 847.410.4400 | F 847.410.4500  
[www.techlighting.com](http://www.techlighting.com)