

# Square Flangeless Flat Trim

E3SLF-

1.1

# ELEMENT

a brand of TECH LIGHTING



TRIMS

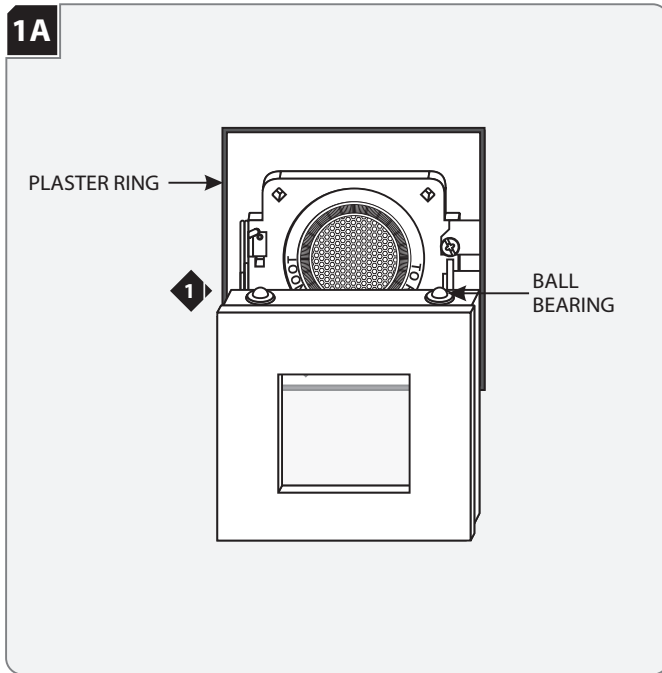
## GENERAL PRODUCT INFORMATION:

This product is suitable for indoor locations.

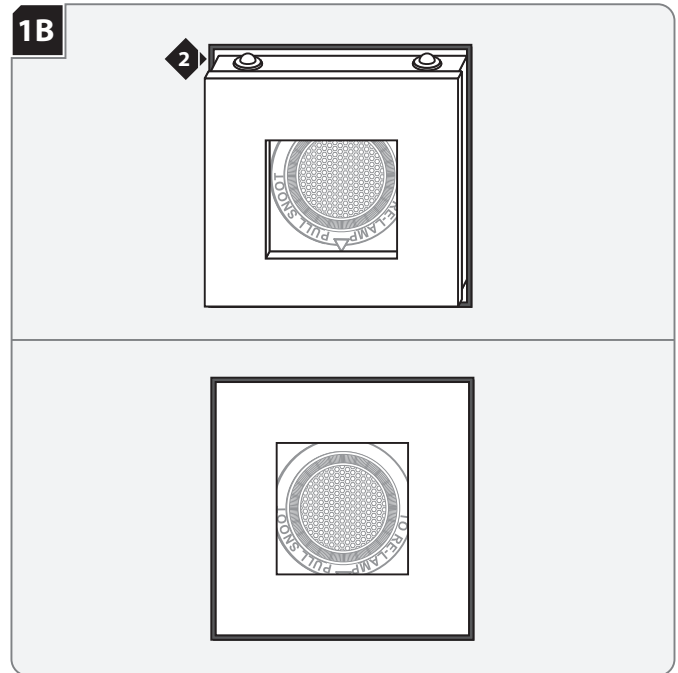
This instruction shows a typical installation.



## Install the Trim



**1** Align the trim ball bearings with the inner edge of the plaster ring.



**2** Push the trim into the plaster ring so that the four ball bearings snap into the plaster ring walls.

**SAVE THESE INSTRUCTIONS!**

# ELEMENT

a brand of TECH LIGHTING



7400 Linder Ave, Skokie, IL 60077  
847.410.4400

[www.element-lighting.com](http://www.element-lighting.com)

© 2008 Tech Lighting, L.L.C. All rights reserved. The "Element" graphic is a registered trademark of Element. Element reserves the right to change specifications for product improvements without notification.

A Generation Brands Company