

Square Flangeless Bevel Trim

E3SLB-

1.1

ELEMENT

a brand of TECH LIGHTING®



TRIMS

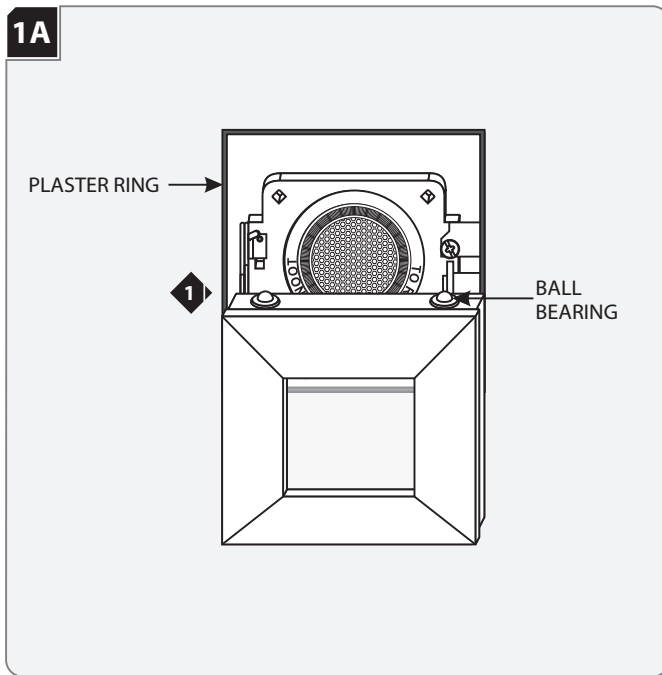
GENERAL PRODUCT INFORMATION:

This product is suitable for indoor locations.

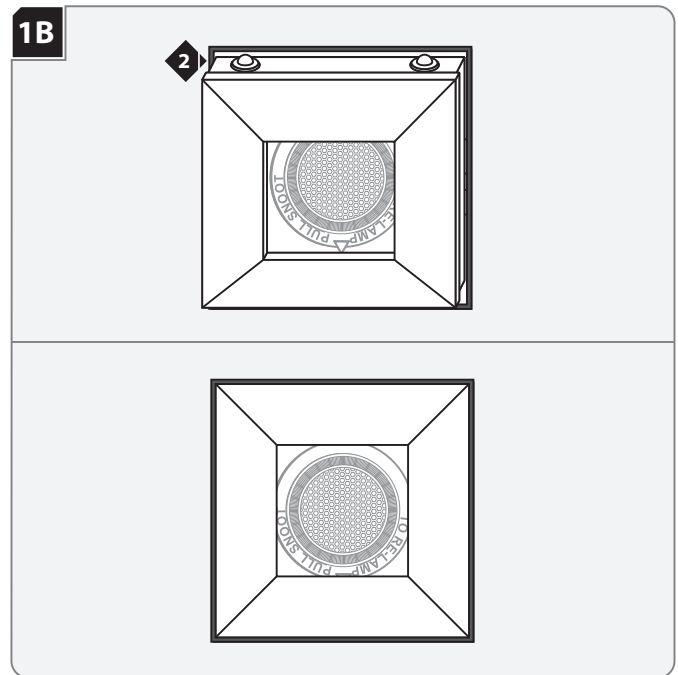
This instruction shows a typical installation.



Install the Trim



1 Align the trim ball bearings with the inner edge of the plaster ring.



2 Push the trim into the plaster ring so that the four ball bearings snap into the plaster ring walls.

SAVE THESE INSTRUCTIONS!

ELEMENT

a brand of TECH LIGHTING®



7400 Linder Ave, Skokie, IL 60077
847.410.4400

www.element-lighting.com

© 2008 Tech Lighting, L.L.C. All rights reserved. The "Element" graphic is a registered trademark of Element. Element reserves the right to change specifications for product improvements without notification.

A Generation Brands Company