

Round Flanged Bevel Trim

E3RF_B-

1.2

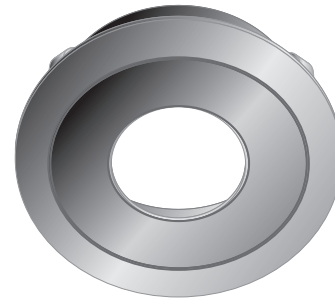
ELEMENT
a brand of TECH LIGHTING

TRIMS

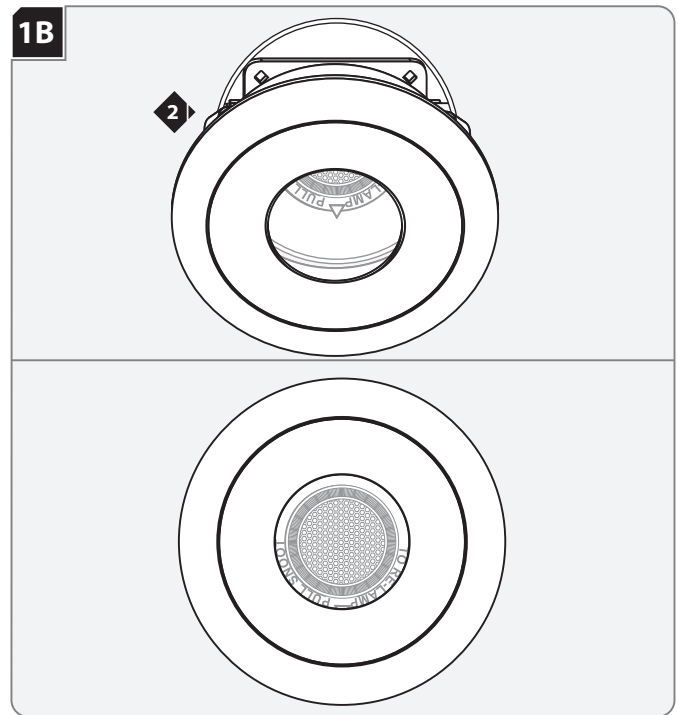
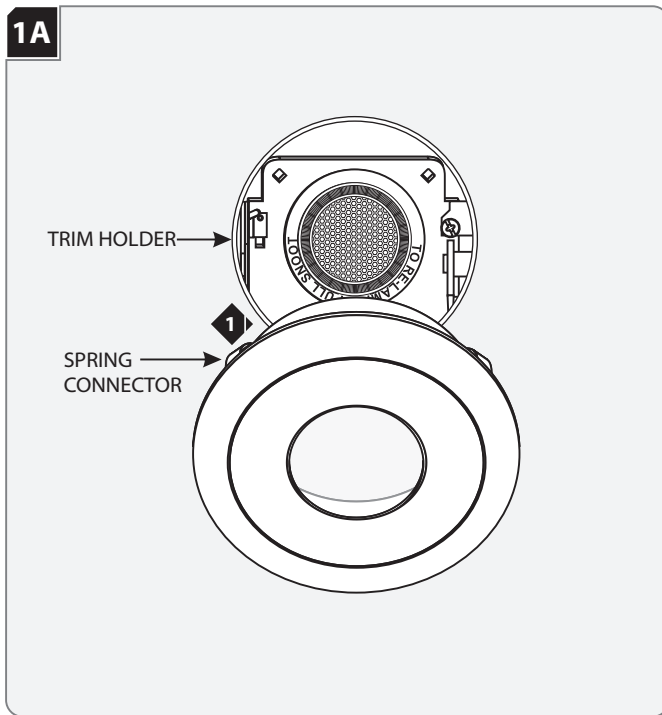
GENERAL PRODUCT INFORMATION:

This product is suitable for indoor locations.

This instruction shows a typical installation.



Install the Trim



CEILING THICKNESS	MAXIMUM RECOMMENDED TILT
1 inch	40 degrees
1.1 to 1.5 inch	30 degrees
1.6 to 2.0 inch	20 degrees
2.1 to 2.5 inch	10 degrees

1 Align the trim spring connectors with the inner edge of the housing trim holder.

2 Push the trim into the trim holder so that the three spring connectors snap into the trim holder edge.

SAVE THESE INSTRUCTIONS!

ELEMENT
a brand of TECH LIGHTING

7400 Linder Ave, Skokie, IL 60077
847.410.4400

www.element-lighting.com

© 2008 Tech Lighting, L.L.C. All rights reserved. The "Element" graphic is a registered trademark of Element. Element reserves the right to change specifications for product improvements without notification.

A Generation Brands Company