

Round or Square 2" Type Non-IC Adjustable Remodel Housing with LED Lamp

E2__-N_ 1.5

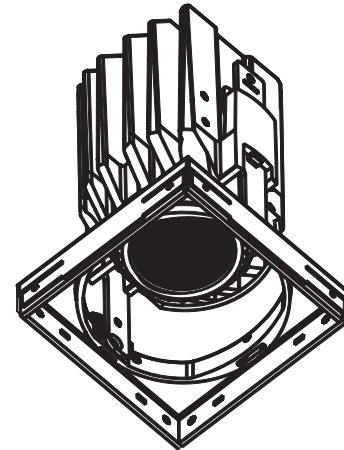


GENERAL PRODUCT INFORMATION:

This product is suitable for indoor locations.

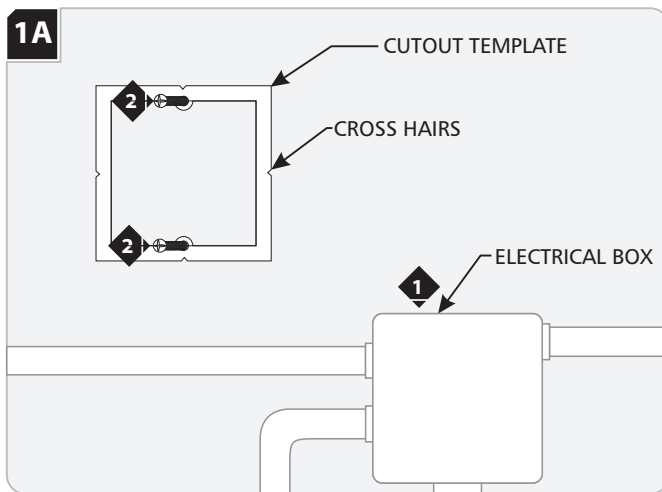
This product can be dimmed with a standard electronic dimmer.

This instruction shows a typical installation.

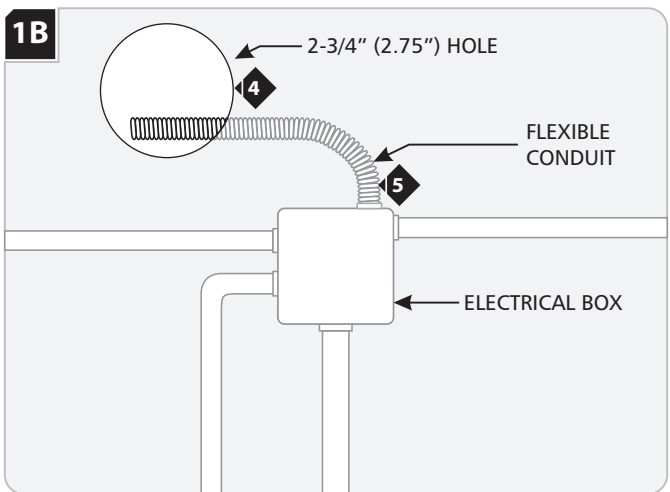


CAUTION - RISK OF FIRE
 This product must be installed in accordance with the applicable installation code by a person familiar with the construction and operation of the product and the hazards involved.
Use minimum 90°C supply conductors.
SAVE THESE INSTRUCTIONS!

Prepare for Installation



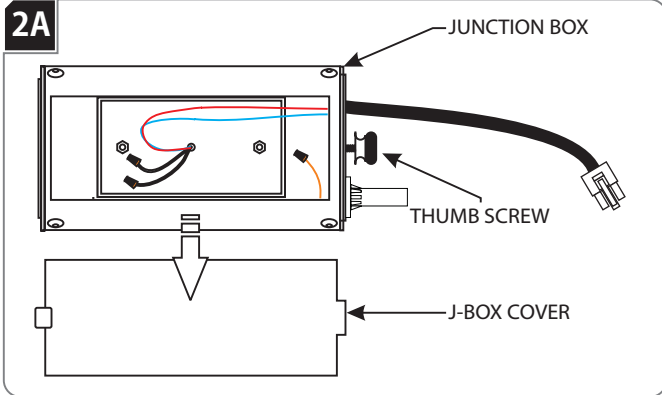
- 1 Locate any electrical boxes and conduit already present in the ceiling.
- 2 For square trims use a laser or string, align the cutout template and secure it to the ceiling with two screws.
- 3 Using a router cut the hole using the inside of the template as a guide. Then remove the template and cut the excess material where the screws held the template to the ceiling.



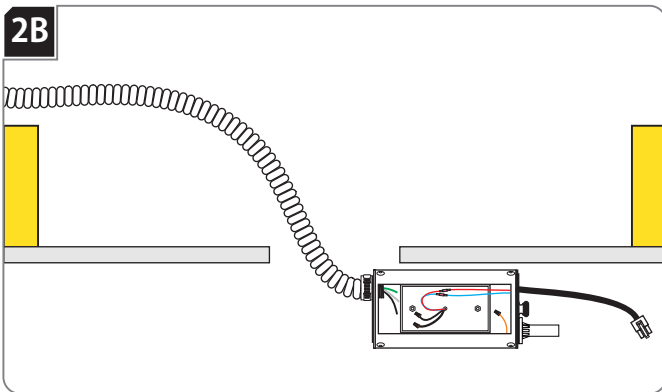
- 4 For round trims cut a 2-3/4" hole with a hole saw. Take care not to damage any existing electrical boxes or conduit.
- 5 Attach flexible conduit (not included) to an electrical box and feed the conduit out of the hole.

Note: The fixture will accommodate a 3/8" to 2" ceiling thickness. 5 1/2" minimum plenum height required.

Install the Junction Box



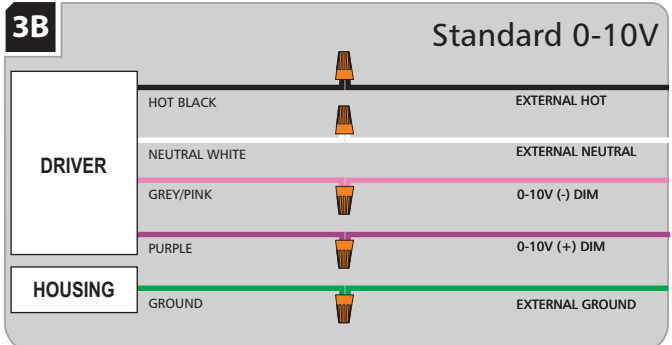
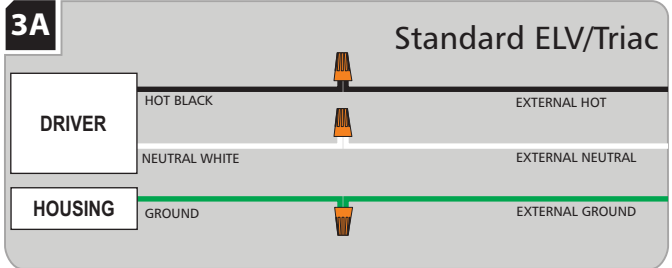
- 1 Open the junction box by loosening the thumb screw.
- 2 Pull up on the cover to remove it.



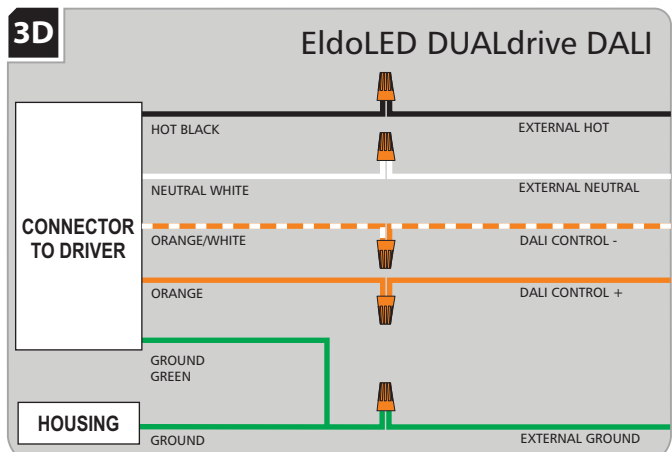
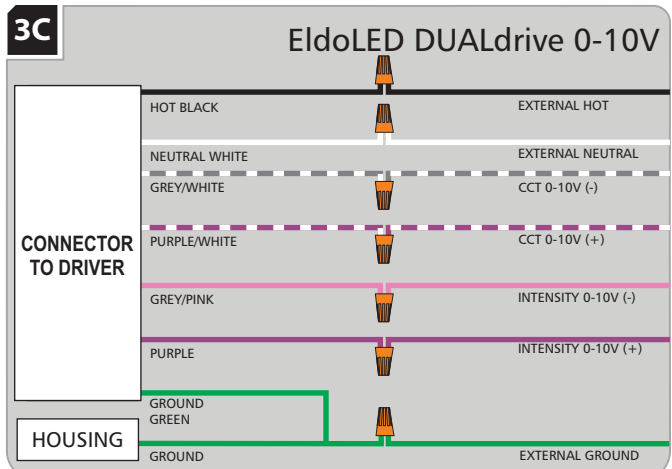
- 3 Connect flexible conduit or Romex to junction box with the proper fitting.
- 4 Use the appropriate wiring diagram in Section 3 to wire your fixture accordingly.

Standard Driver Wiring	eldoLED Driver Wiring (Remote Driver Only)
ELV/Triac - 3A	DUALDRIVE - 3C
0-10V - 3B	DALI - 3D

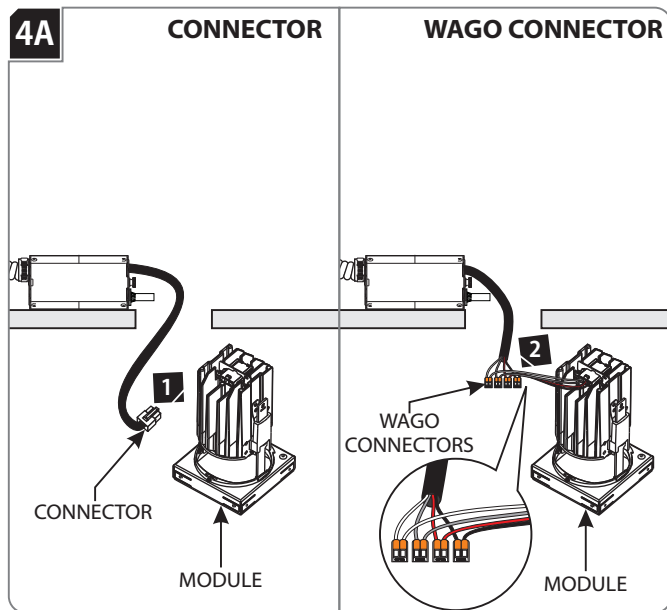
Standard Driver Wiring



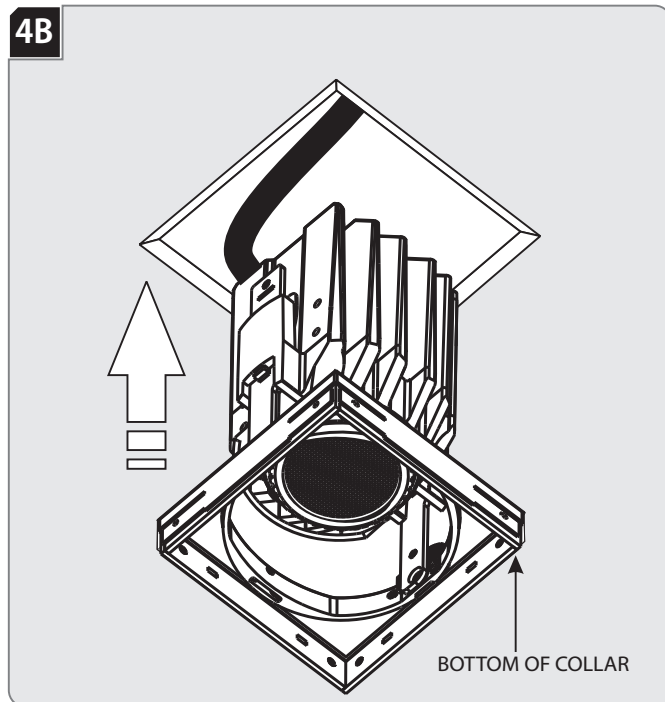
EldoLED Tunable White Wiring (Remote Driver Only)



Install the Module

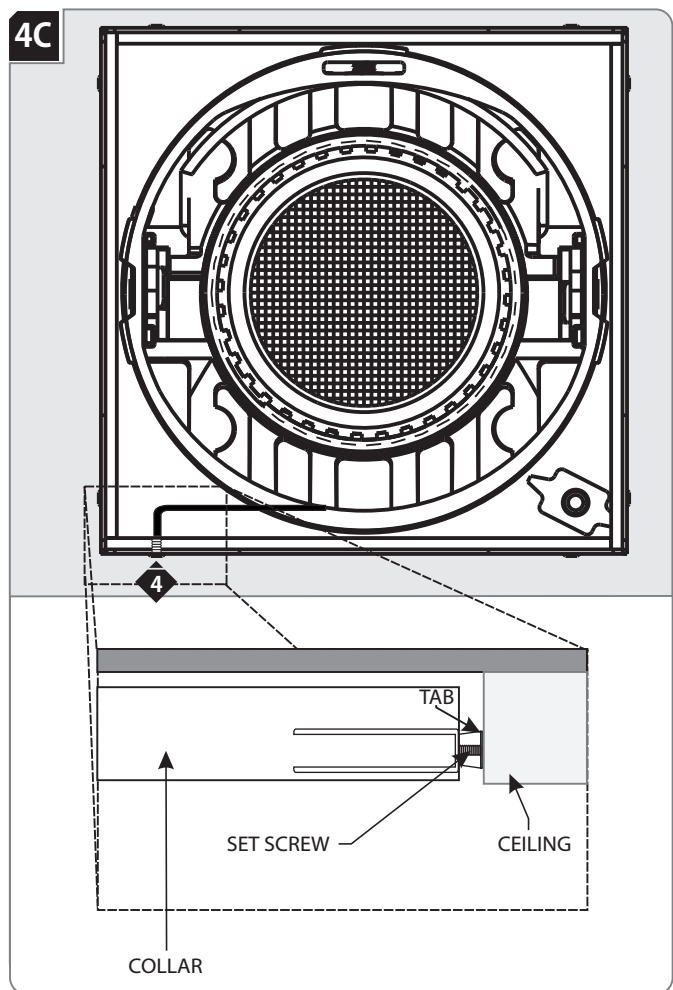


- 1 **For Connector:** Align the connector with the connector on the top of the heat sink on the module, then push the connector all the way into the module connector. **Skip to step 3.**
- 2 **For Wago Connector:** Connect each module wire to the corresponding Wago connector.



- 3 Push the module into the ceiling cut out until the bottom of the collar is flush with or slightly above the bottom of the ceiling.

NOTE: For flangeless versions push the module in until the mud plate is flush against the ceiling.



- 4 Use the provided Allen wrench and set screws to secure the collar to the ceiling, ensuring the screws are flush with the surface of the collar so they will not interfere with the trim installation.
- 5 Verify that the collar does not protrude below the ceiling using a straight edge. If so, loosen the set screws and adjust accordingly.

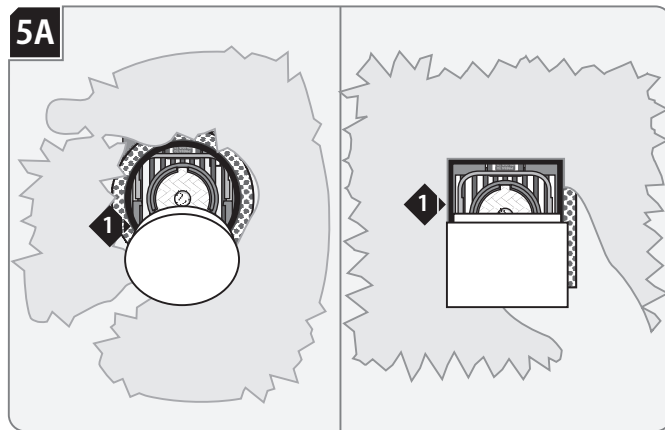
NOTE: Longer set screws have been provided for instances where the hole is cut too large.

Square trims use 4 pre-installed set screws. (2 and 2 on opposite sides. 4 additional screws have been provided to add optional stability on all 4 sides if desired.)

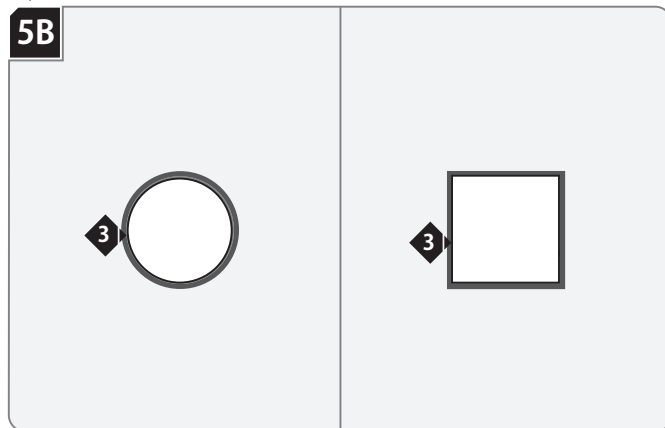
Round trims use 3 set screws.

NOTE: For **flanged** versions skip ahead to **section 6**.

Mud in the Plaster Plate (For Flangless Versions Only)

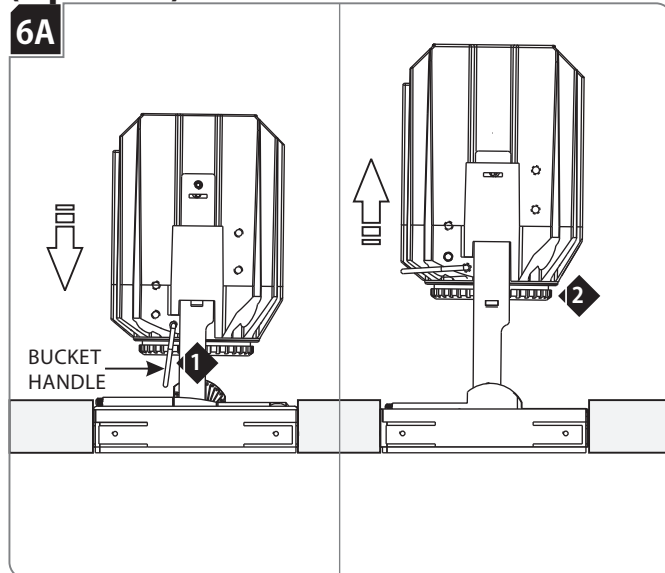


- 1 Plug the collar with the provided dust shield.
- 2 Properly plaster onto the plaster ring and drywall.

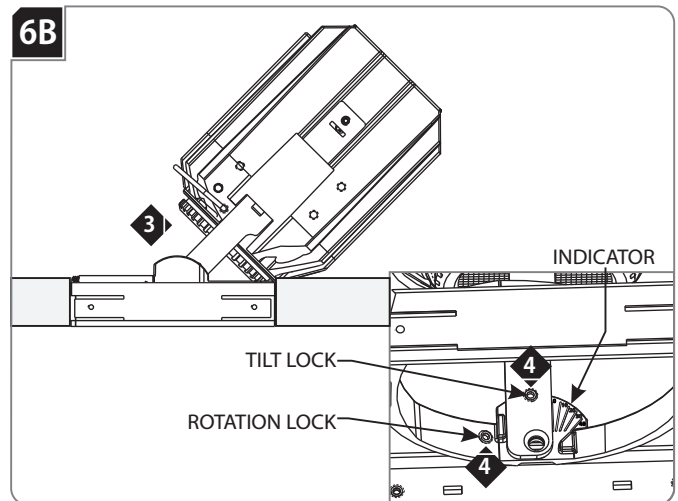


- 3 Finish around the collar to match drywall.

Adjust the Lamp Position (Optional)



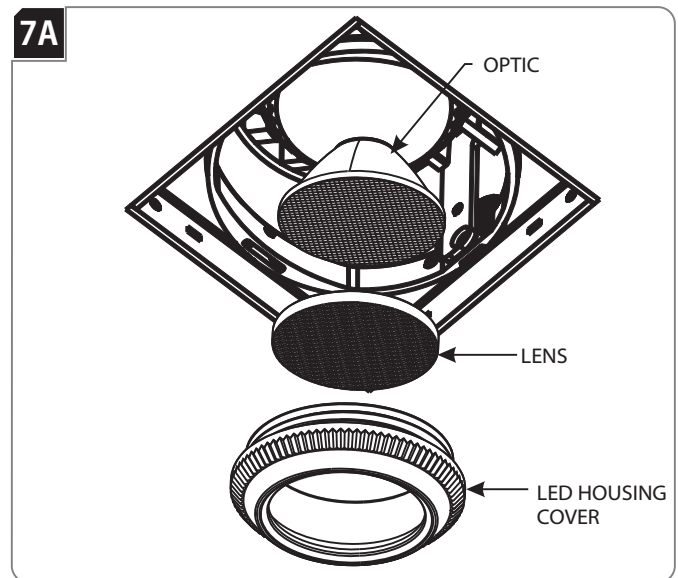
- 1 Pull down on the bucket handle to position the module in the low position.
- 2 Push up the LED and heat sink to position the module in the high position.



NOTE: Module can rotate 361° and tilt to 45°
For proper wall wash positioning, tilt until 15°
angle is reached.

- 3 Use hand to tilt and rotate the module to the desired position. Use the tilt indicator next to the support arm for a precise tilt angle.
- 4 Tighten the tilt and rotation locks with provided Allen key once desired positions have been reached. (Optional)

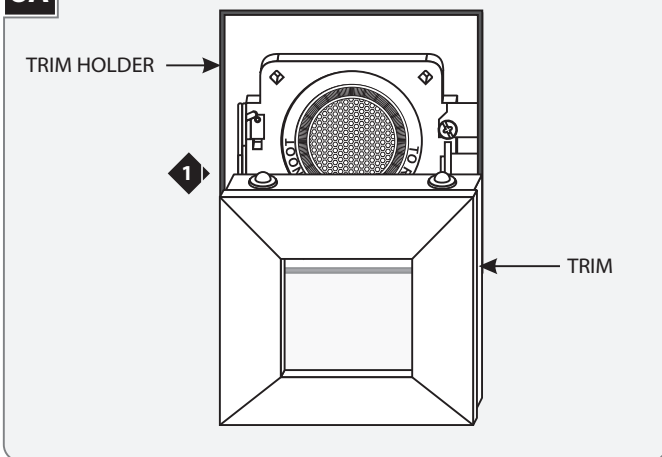
Optics and Lenses



- 1 Unscrew and remove the LED housing cover.
- 2 Remove the optic.
- 3 If installing an optional lens, rest the lens inside the housing cover.
- 4 Install the optic (replacement or existing) inside the LED housing cover.
- 5 Screw the LED housing cover back on leaving it less-than-snug. **Stop tightening the moment any resistance is felt. The cover will not sit flush to the base when using lenses. Do not try to force the cover to become flush.**

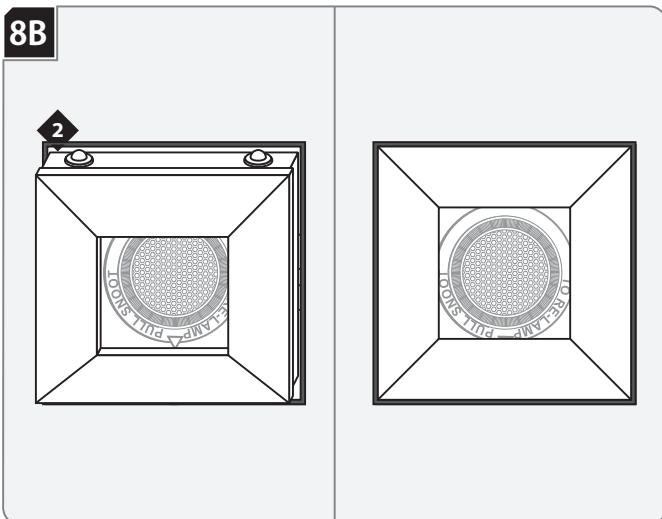
Install the Trim

8A



1 Align the trim with the inner edge of the trim holder.

8B



2 Push the trim into the trim holder so that it snaps into place.

NOTE: Your trim may appear differently than the depicted trim. However, the process to install is the same for all standard trims.

Notes

Notes



7400 Linder Ave., Skokie, IL 60077

T 847.410.4400 | F 847.410.4500

www.techlighting.com